

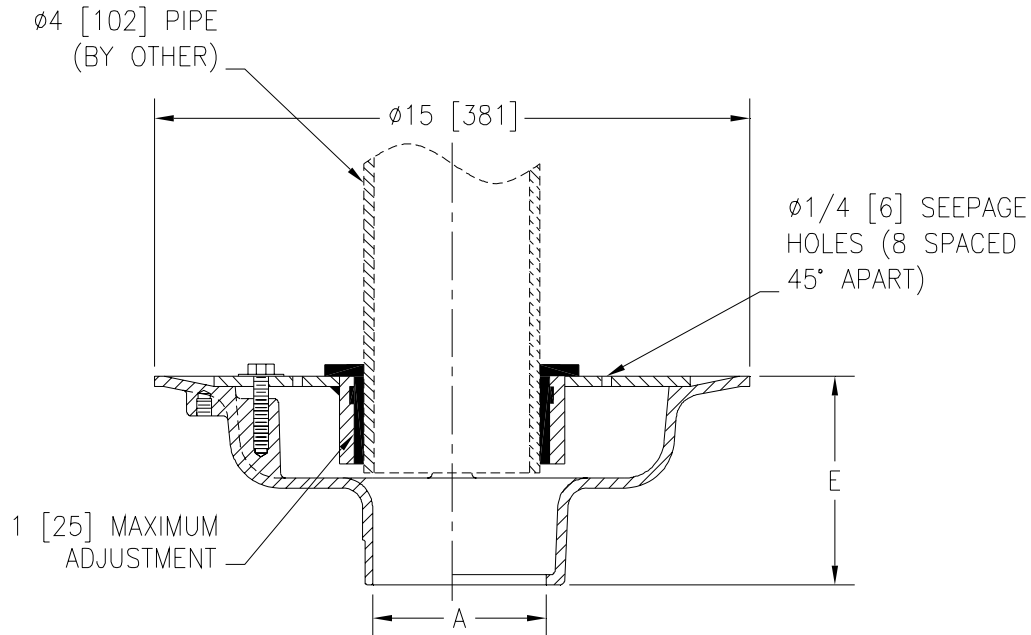


Z624-85 DECK DRAIN W/ MEMBRANE CLAMPING COLLAR

SPECIFICATION SHEET

TAG _____

Dimensional Data (inches and [mm]) are Subject to Manufacturing Tolerances and Change Without Notice



A Pipe Size	Approx. Wt. Lbs. [kg]
2, 3, 4 [51, 76, 102]	21 [10]
5, 6 [127, 152]	

ENGINEERING SPECIFICATION: ZURN Z624-85

Deck drain, Dura-Coated cast iron body, clamp collar with seepage holes, and neoprene flex gasket, to accept 4 [102] drainage pipe.

OPTIONS (Check/specify appropriate options)

PIPE SIZE

- 2 thru 6 [51 thru 152]
- 2 thru 4, 6 [51 thru 102, 152]
- 2 thru 6 [51 thru 152]
- 2 thru 6 [51 thru 152]
- 2 thru 4 [51 thru 102]

(Specify size/type) **OUTLET**

- ___ IC Inside Caulk
- ___ IG Inside Caulk w/Sealtrol Gskt.
- ___ IP Threaded
- ___ NH No-Hub
- ___ NL Neo-Loc

'E' BODY HT. DIM.

- 5 1/4 [133]
- 5 1/4 [133]
- 3 3/4 [95]
- 5 1/4 [133]
- 4 5/8 [117]

PREFIXES

- ___ Z D.C.C.I. Body*

SUFFIXES

- ___ -C Underdeck Clamp
- ___ -G Galvanized Cast Iron
- ___ -R Sump Receiver

REV.	DATE: 06/21/06	C.N. NO. 95233
DWG. NO. P-15300		PRODUCT NO. Z624-85

*REGULARLY FURNISHED UNLESS OTHERWISE SPECIFIED