



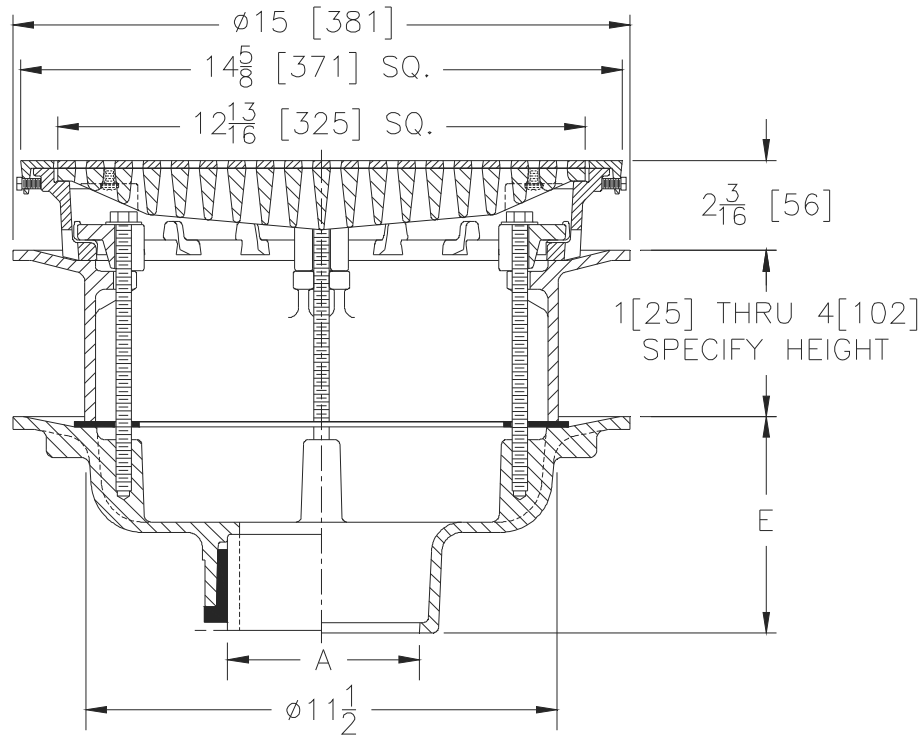
# ZB150-DG-E

14-5/8 [371] SQUARE TOP PROM-DECK DRAIN W/  
DURESIST GRATE, STATIC EXTENSION, HEEL-PROOF  
BRONZE VENEER, AND ROTATABLE FRAME

SPECIFICATION SHEET

TAG \_\_\_\_\_

Dimensional Data (inches and [ mm ]) are Subject to Manufacturing Tolerances and Change Without Notice



A Pipe Size in [mm]	Approx Wt. lbs [kg]	Grate Open Area in <sup>2</sup> [cm <sup>2</sup> ]
2,3,4 [51,76,102]	65 [29]	44 [284]
6 [152]		
8 [203]	66 [30]	

**ENGINEERING SPECIFICATION: ZURN ZB150-DG-E**

14-5/8" [371mm] Square top Prom-Deck drain, Dura-Coated cast iron body with rotatable square promenade frame with seepage openings, frame clamps, static extension, and Duresist grate with heel-proof bronze veneer.

**OPTIONS** (Check/specify appropriate options)

**PIPE SIZE**

- 2,3,4,6 [51,76,102,152]
- 2,3,4,6, 8 [51,76,102,152,203]
- 2,3,4,6, 8 [51,76,102,152,203]
- 2,3,4 [51,76,102]

(Specify size/type) **OUTLET**

- \_\_\_\_\_ IC Inside Caulk
- \_\_\_\_\_ IP Threaded
- \_\_\_\_\_ NH No-Hub
- \_\_\_\_\_ NL Neo-Loc

**E BODY HT. DIM.**

- 5-1/4 [133]
- 3-3/4 [95]
- 5-1/4 [133]
- 4-5/8 [117]

**PREFIXES**

- \_\_\_\_\_ ZB D.C.C.I. Body with Polished Bronze Top\*
- \_\_\_\_\_ ZN D.C.C.I. Body with Polished Nickel Bronze Top

**SUFFIXES**

- \_\_\_\_\_ -AR Acid Resistant Epoxy Coated
- \_\_\_\_\_ -C Underdeck Clamp
- \_\_\_\_\_ -DE Deck Extension (Includes Deck Plate -DP)
- \_\_\_\_\_ -DP Top-Set® Roof Deck Plate (Replaces both -C and -R)
- \_\_\_\_\_ -DR Top-Set® Drain Riser
- \_\_\_\_\_ -DT Decorative Polished Top (ZN and ZB Only)
- \_\_\_\_\_ -EA Adjustable Extension Assembly 2-1/8 [54] thru 3-1/2 [89]
- \_\_\_\_\_ -EB Top-Set® Adjustable Extension Assembly
- \_\_\_\_\_ -G Galvanized Cast Iron
- \_\_\_\_\_ -R Roof Sump Receiver
- \_\_\_\_\_ -S Secondary Strainer
- \_\_\_\_\_ -SC Secondary Clamping Collar
- \_\_\_\_\_ -TC Neo-Loc Test Cap Gasket (2,3,4 [51,76,102] NL Bottom Outlet Only)
- \_\_\_\_\_ -TS Top Secured with Slotted Screws
- \_\_\_\_\_ -VP Vandal Proof Secured Top
- \_\_\_\_\_ -XJ Vertical Expansion Joint (See Z190)
- \_\_\_\_\_ -Y Sediment Bucket
- \_\_\_\_\_ -85 Stainless Steel Perforated Extension
- \_\_\_\_\_ -90 90° Threaded Side Outlet Body (2,3,4,6 [51,76,102,152])

\* Regularly furnished unless otherwise specified.