



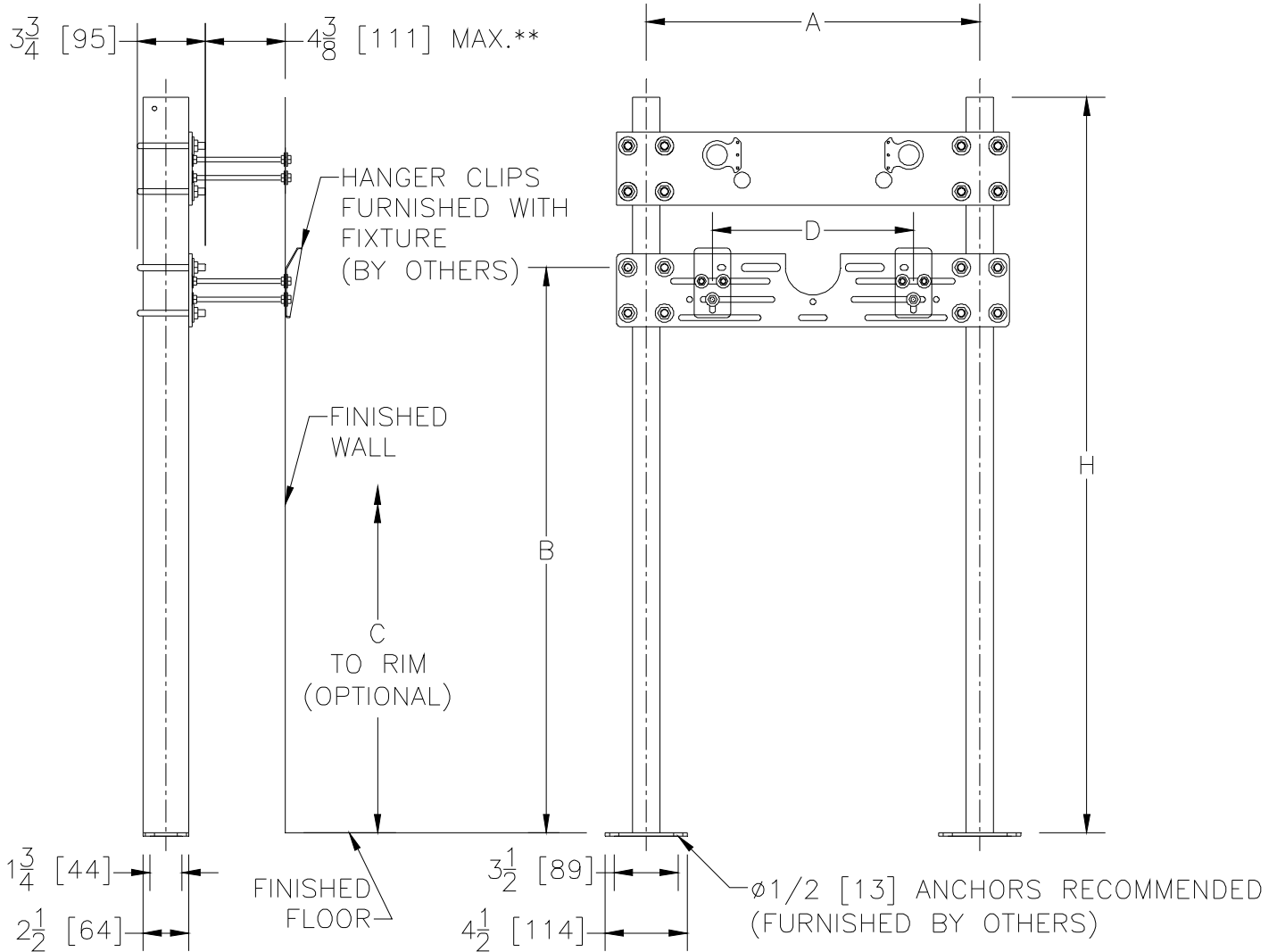
# Z1221-EW

## PLATE TYPE SYSTEM WALL URINALS WITH ELECTRIC AND WATER TYPE SUPPORT SYSTEM

SPECIFICATION SHEET

TAG \_\_\_\_\_

Dimensional Data (inches and [ mm ]) are Subject to Manufacturing Tolerances and Change Without Notice



\*\* WITH STANDARD STUD LENGTH OF 6 [152]

Product No.	Approx. Wt. Lbs. [kg]
Z1221	54 [25]

### ENGINEERING SPECIFICATION: ZURN Z1221-EW

Wall urinal support system with top support plate. Complete with Dura-Coated rectangular steel uprights with welded feet, adjustable support plate, and mounting fasteners. With electric and water type support system.

### OPTIONS (Check/specify appropriate options)

#### PREFIXES

\_\_\_\_Z Dura-Coated Sytem with Universal Plate\*

#### SUFFIXES

\_\_\_\_-CU Floor to Ceiling Upright  
 \_\_\_\_-D Back to Back System  
 \_\_\_\_-EZ Easy to Install Assembly  
 \_\_\_\_-SL Stud Length Greater that 6 [152] (Specify Length)

Note: Dimensional data for letter dimensions depends upon fixture type and manufacturer. See Zurn Carrier/Fixture Rough-In Information at [www.zurn.com](http://www.zurn.com) for specific rough-in dimensions.

\* Regularly furnished unless otherwise specified.