



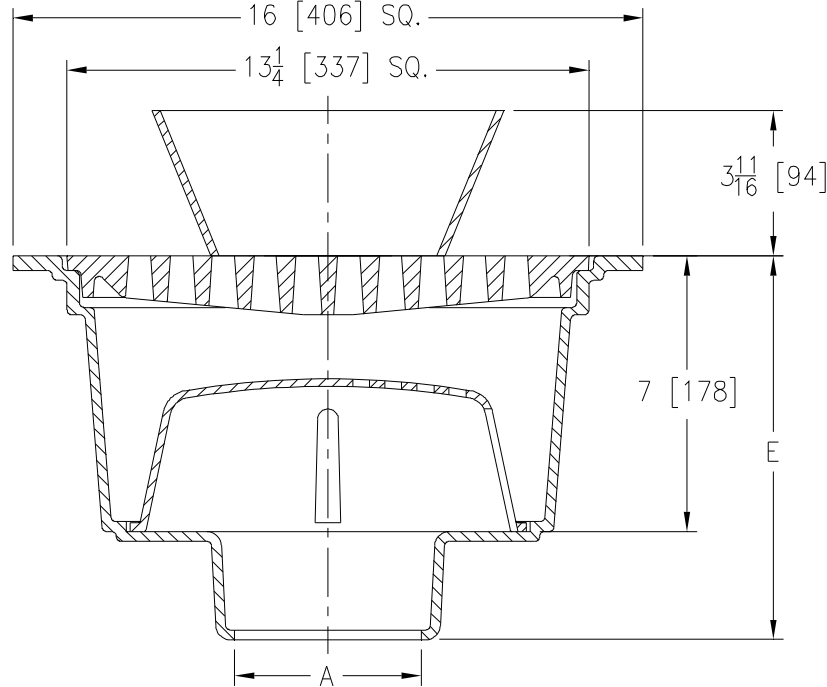
# Z1920-8

16 X 16 [406 X 406] A.R.C. SANI-FLOR RECEPTOR 7 [178]  
 SUMP W/ 8-7/8 x 3-5/8 x 3-3/4 [225 x 92 x 95] HIGH OVAL  
 FUNNEL

SPECIFICATION SHEET

TAG \_\_\_\_\_

Dimensional Data (inches and [ mm ]) are Subject to Manufacturing Tolerances and Change Without Notice



A- Pipe Size In. [mm]	Approx Wt. Lbs. [kg]	Grate Open Area Sq. In. [cm <sup>2</sup> ]
2,3,4,6,8 [51,76,102,152,203]	82 [37]	54 [348]

**ENGINEERING SPECIFICATION: ZURN Z1920-8**

Sani-Flor Receptor 16" x 16" x 7" [406mm x 406mm x 178mm] deep cast iron body and square slotted heavy duty grate with 8-7/8" x 3-5/8" x 3-3/4" [225mm x 92mm x 95mm] high oval funnel, with white acid resisting epoxy coated interior and top, complete with aluminum anti-splash interior bottom dome strainer.

**OPTIONS** (Check/specify appropriate options)

**PIPE SIZE**

2,3,4,6 [51,76,102,152]  
 8 [203]  
 2,3,4 [51,76,102]

(Specify size/type) **OUTLET**

\_\_\_ IC Inside Caulk  
 \_\_\_ IC Inside Caulk  
 \_\_\_ NL Neo-Loc

**'E' BODY HT. DIMENSION**

Z	ZN
9-3/4 [248]	10 [254]
10-1/4 [260]	10-1/2 [267]
9 [229]	9-3/16 [233]

**PREFIXES**

\_\_\_ Z Cast Iron Body with White A.R.C. Interior\*  
 \_\_\_ ZN Cast Iron Body with White A.R.C. Interior, 16-3/4 [425] Square Nickel Bronze Frame and Full Grate

**SUFFIXES**

___ -K Anchor Flange with Seepage Holes	___ -23 Aluminum Bucket
___ -KC Anchor Flange with Seepage Holes and Clamp Collar	___ -25 White A.R.C. Bucket
___ -LD Less Internal Bottom Dome Strainer	___ -31 Stainless Steel Mesh Liner for Bucket
___ -P 1/2 [13] Trap Primer Connection	___ -33 White A.R.C. Anti-Splash Bottom Dome Strainer
___ -TC Neo-Loc Test Cap Gasket (2,3,4 [51,76,102] NL Bottom Outlet Only)	
___ -11 Vandal-Proof Secured Grate	

\* Regularly furnished unless otherwise specified.