

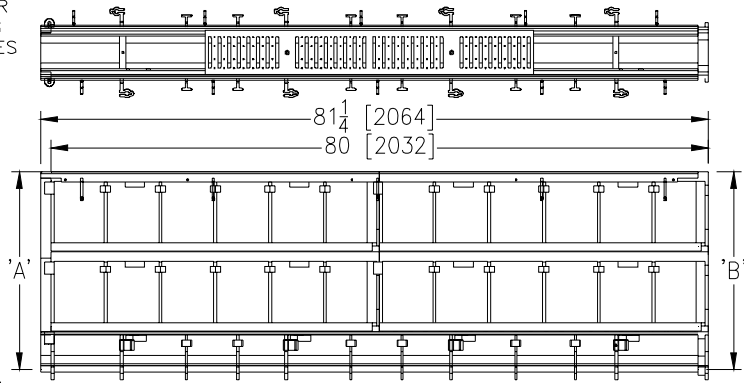
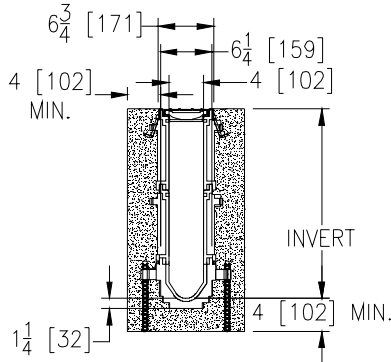


# Z886-HD-LD-SW2

6-3/4 [171] WIDE REVEAL TRENCH DRAIN SYSTEM W/ HEAVY-DUTY FRAME TAG \_\_\_\_\_  
 ASSEMBLY W/ LIGHT-DUTY GRATES & TWO 9 [229] SIDEWALL EXTENSIONS

Dimensional Data (inches and [ mm ]) are Subject to Manufacturing Tolerances and Change Without Notice

SPECIFYING ENGINEER IS RESPONSIBLE FOR CONCRETE ENCASEMENT AND REINFORCING BASED UPON APPLICATION AND LOCAL CODES



NOTE: + Actual Channel length is 81 1/4 [2064] to allow for overlap.

**ENGINEERING SPECIFICATION: Zurn Z886-HD-LD-SW2**

Channels shall be 80 [2032] long, 6-3/4 [171] wide reveal and have a 4 [102] throat. Modular channel sections shall be made of 0% water absorbent High Density Polyethylene (HDPE). Shall have a positive mechanical connection between channel sections that will not separate during the installation and shall mechanically lock into the concrete surround every 10 [254]. Channels shall weigh less than 2.31 lbs.[1.05kg] per linear foot, have a smooth, 1-1/2 [38] radiused self cleaning bottom with a Manning's coefficient of .009 and .75% or neutral 0% built in slope. Channels shall have rebar clips standard to secure trench in its final location. Channels shall have HDPE SW2 Side Walls attached for an additional 18 [457] added to the standard channel invert for additional flow capability shown in chart below. Shall be provided with standard RFG grates that lock down to frame. Zurn 6 [152] wide reveal Reinforced Galvanized Steel Slotted Grate reinforcing conforming to ASTM specification A536-84, Grade 80-55-06. Fabricated Steel grate is rated class B per the DIN EN1433 top load classifications. Supplied in 40 [1016] nominal lengths with 3/8 [10] wide slots, and 3/4 [19] bearing depth. Grate has an open area of 13.68 sq. in per ft. [28,956 sq. mm per meter]. The .105 [2.66] thick Heavy-Duty Carbon Steel Frame Assembly conforms to ASTM specification A36 with 10 - 4 [102] long concrete anchors per 80 [2032]. Grate lockdown bars are to be integral to the frame The frame is supplied with a powder coated finish. All welds must be performed by a certified welder per ASTM standard AWS D1.1. Frames Shall be produced in the U.S.A. The System loading is based upon the grate being used.

**PREFIX OPTIONS (Check/specify appropriate options)**

\_\_\_ Z Six-foot, Eight-inch High Density Polyethylene (HDPE)\*

**SUFFIX OPTIONS (Check/specify appropriate options)**

**Outlet Adapters Add/Each**

- \_\_\_ -E1 Closed End Cap
- \_\_\_ -E2 2 [51] No-Hub End Outlet
- \_\_\_ -E3 3 [76] No-Hub End Outlet
- \_\_\_ -E4 4 [102] No-Hub End Outlet
- \_\_\_ -E6 6 [152] No-Hub End Outlet
- \_\_\_ -U2 2 [51] No-Hub Bottom Outlet
- \_\_\_ -U3 3 [76] No-Hub Bottom Outlet
- \_\_\_ -U4 4 [102] No-Hub Bottom Outlet
- \_\_\_ -U6 6 [152] No-Hub Bottom Outlet

**Frame Options**

\_\_\_ -CBF Black Acid Resistant Coated Top Frame

**Grate Options (Load Classifications are per DIN EN1433)**

- \_\_\_ -HPP Heel-Proof Polyethylene Grate - Class A
- \_\_\_ -RFG Reinforced Galvanized Steel Slotted Grate - Class B \*
- \_\_\_ -RFS Reinforced Stainless Steel Slotted Grate - Class B
- \_\_\_ -RPG Reinforced Galvanized Perforated Grate - Class B
- \_\_\_ -RPS Reinforced Stainless Steel Perforated Grate - Class B

**Miscellaneous Options**

- \_\_\_ -VP Vandal-Proof Lockdown
- \_\_\_ -JC Joint Connector

**MADE in the U.S.A. (Load Classifications are per DIN EN1433)**

- \_\_\_ -AWG Aluminum Wire Grate - Class A
- \_\_\_ -FG Fabricated Galvanized Steel Slotted Grate - Class A
- \_\_\_ -FS Fabricated Stainless Steel Slotted Grate - Class A
- \_\_\_ -GG Fiberglass Grate - Class A
- \_\_\_ -PG Perforated Galvanized Steel Grate - Class A
- \_\_\_ -PS Perforated Stainless Steel Grate - Class A
- \_\_\_ -SBG-L Stainless Steel Bar Grate - Class B

**Miscellaneous Options**

\_\_\_ -DB Bottom Dome Strainer

**Decorative MADE in the U.S.A. (Load Classifications are per DIN EN1433)**

- \_\_\_ -BZ Bronze Decorative Grate - Class A
- \_\_\_ -NBZ Nickel Bronze Decorative Grate - Class A
- \_\_\_ -PSR Perforated Stainless Steel Raised Grate - Class A
- \_\_\_ -SWG Stainless Steel Wire Grate - Class A

Trench No.	'A' Shallow Inv.	'B' Deep Inv.	Flow		
			(cfs)	(gpm)	(lps)
8601SW2	21.50 [546]	22.10 [561]	2.33	1045	66
8602SW2	22.10 [561]	22.70 [577]	2.40	1078	68
8603SW2	22.70 [577]	23.30 [592]	2.47	1110	70
8603NSW2	23.30 [592]	23.30 [592]	-	-	-
8604SW2	23.30 [592]	23.90 [607]	2.55	1142	72
8605SW2	23.90 [607]	24.50 [622]	2.62	1175	74
8606SW2	24.50 [622]	25.10 [638]	2.69	1207	76
8606NSW2	25.10 [638]	25.10 [638]	-	-	-
8607SW2	25.10 [638]	25.70 [653]	2.76	1239	78
8608SW2	25.70 [653]	26.30 [668]	2.83	1272	80
8609SW2	26.30 [668]	26.90 [683]	2.91	1304	82
8610SW2	26.90 [683]	27.50 [699]	2.98	1336	84
8611SW2	27.50 [699]	28.10 [714]	3.05	1369	86
8612SW2	28.10 [714]	28.70 [729]	3.12	1401	88
8612NSW2	28.70 [729]	28.70 [729]	-	-	-
8613SW2	28.70 [729]	29.30 [744]	3.19	1433	90
8614SW2	29.30 [744]	29.90 [759]	3.27	1466	92
8615SW2	29.90 [759]	30.5 [775]	3.34	1498	94

**Decorative Grate Options (Load Classifications are per DIN EN1433)**

- \_\_\_ -BCD Bronze Circular Decorative Grate - Class A
- \_\_\_ -BDD Bronze Diagonal Decorative Grate - Class A
- \_\_\_ -DCD Ductile Iron Circular Decorative Grate - Class C
- \_\_\_ -DDD Ductile Iron Diagonal Decorative Grate - Class A
- \_\_\_ -DOG Ductile Iron Decorative Grate - Class A
- \_\_\_ -DWV Ductile Wave Decorative Grate - Class A
- \_\_\_ -GMG Galvanized Steel Mesh Grate - Class A
- \_\_\_ -HPB Heel-Proof Bronze Slotted Grate - Class A
- \_\_\_ -HPS Heel-Proof Stainless Steel Slotted Grate - Class A
- \_\_\_ -SCD Stainless Steel Circular Decorative Grate - Class B
- \_\_\_ -SDD Stainless Steel Diagonal Decorative Grate - Class B
- \_\_\_ -SMG Stainless Steel Mesh Grate - Class A
- \_\_\_ -SOG Stainless Steel Decorative Grate - Class B

REV. A      DATE: 05/06/11      C.N. NO. 121241  
 DWG. NO. 302019      PRODUCTNO. Z886-HD-LD-SW2

\*REGULARLY FURNISHED UNLESS OTHERWISE SPECIFIED