



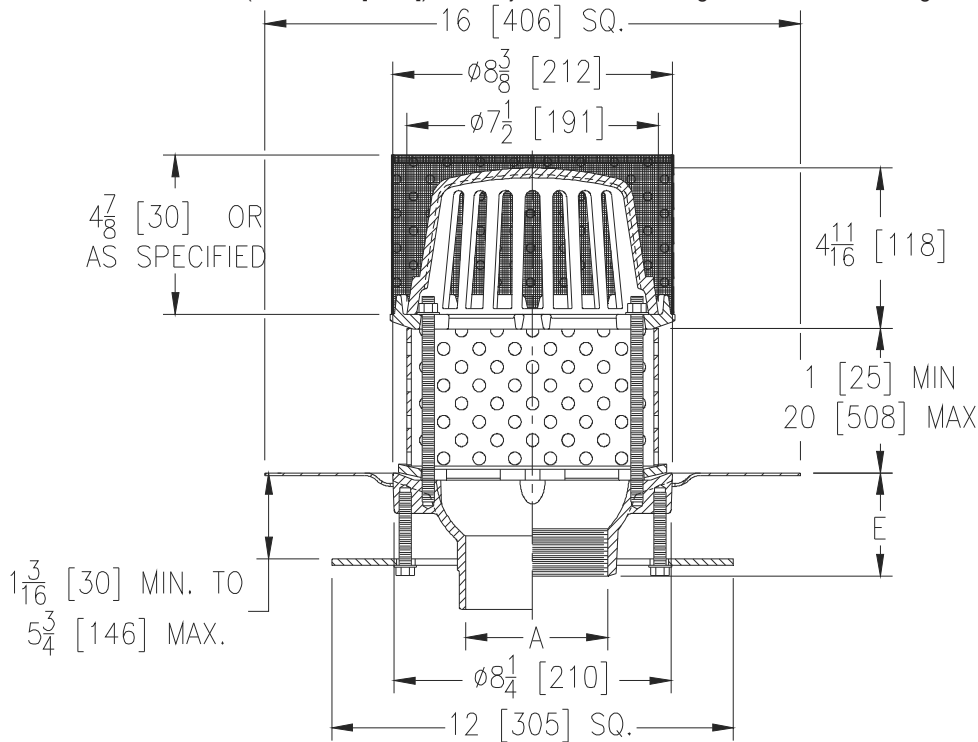
Z125-C-R-SS-84-85

SPECIFICATION SHEET

8-3/8 [213] DIA. ROOF DRAIN W/ UNDERDECK CLAMP, ROOF SUMP RECEIVER, STAINLESS MESH SCREEN OVER DOME, S.S. GRAVEL GUARD & S.S. PERFORATED EXTENSION

TAG _____

Dimensional Data (inches and [mm]) are Subject to Manufacturing Tolerances and Change Without Notice



A- Pipe Size In.	Approx. Wt. Lbs. [kg]	Dome Open Area Sq. In. [cm2]
2-3-4[51-76-102]	18 [8]	43 [277]

ENGINEERING SPECIFICATION: ZURNZ125-C-R-SS-84-85
 8-3/8 [213] Diameter roof drain, Dura-Coated cast iron body with combination membrane flashing clamp/perforated gravel guard, roof sump receiver, under deck clamp, low silhouette Poly-Dome with stainless steel mesh screen over dome, and stainless steel perforated extension.

OPTIONS (Check/specify appropriate options)

PIPE SIZE

- 2-3-4[51-76-102]
- 2 [51]
- 3 [76]
- 4 [102]
- 2-3-4[51-76-102]
- 2-3-4[51-76-102]

(Specify size/type) **OUTLET**

- ___ IC Inside Caulk
- ___ IP Threaded
- ___ IP Threaded
- ___ IP Threaded
- ___ NH No-Hub
- ___ NL Neo-Loc

'E' BODY HT. DIM.

- 3-7/8 [98]
- 2-7/16 [62]
- 2-3/4 [70]
- 3 [76]
- 4 [102]
- 3-13/16 [97]

PREFIXES

- ___ Z D.C.C.I. Body with Poly-Dome (4-1/4 [108] Dome Height)*
- ___ ZA D.C.C.I. Body with Aluminum Dome (4-1/4 [108] Dome Height)
- ___ ZC D.C.C.I. Body with Low Silhouette Cast Iron Dome (4-1/4 [108] Dome Height)
- ___ ZRB D.C.C.I. Body with Plain Bronze Dome (3-1/4 [83] Dome Height)

SUFFIXES

- ___ -AR Acid Resistant Epoxy Coated Finish
- ___ -E 2 [51] High Static Extension (Specify Height)
- ___ -G Galvanized Cast Iron
- ___ -TC Neo-Loc Test Cap Gasket (2-3- 4 [51-76-102] NL Bottom Outlet Only)
- ___ -VP Vandal-Proof Secured Top
- ___ -XJ Vertical Expansion Joint (See Z190)
- ___ -89 2 [51] High External Water Dam
- ___ -90 90° Threaded Side Outlet Body (2-3- 4 [51-76-102]) (Previously Z126)

* Regularly furnished unless otherwise specified.