

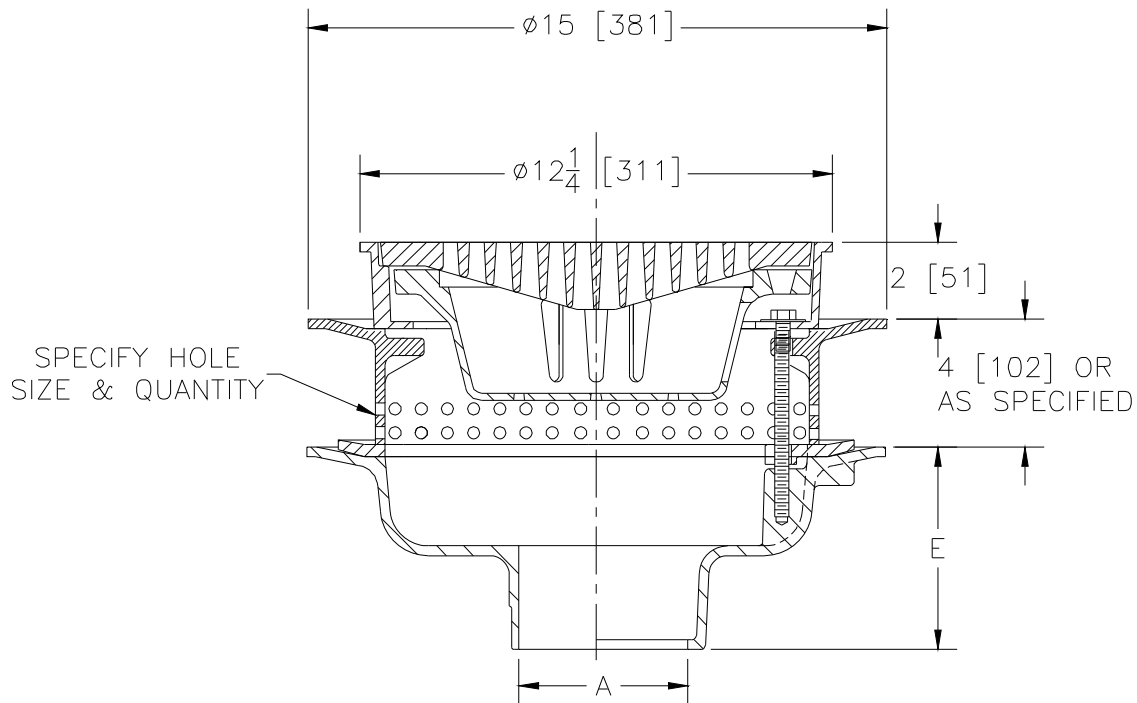


Z541-131

12 [305] DIAMETER HEAVY DUTY DRAIN WITH PERFORATED STATIC EXTENSION

TAG _____

Dimensional Data (inches and [mm]) are Subject to Manufacturing Tolerances and Change Without Notice



A- Pipe Size In.	Approx. Wt. Lbs. [kg]	Grate Open Area Sq. In. [cm ²]
2-3-4-5-6 [50-75-100-125-150]	52 [24]	33 [213]
8-10 [200-250]	54 [24]	

ENGINEERING SPECIFICATION: ZURN Z541-131
 12 [305] Diameter top drain. Dura-Coated cast iron body with bottom outlet, seepage pan, perforated static extension, and combination membrane flashing clamp and frame for anti-tilt heavy duty slotted grate with suspended sediment bucket.

OPTIONS (Check/specify appropriate options)

PIPE SIZE	(Specify size/type) OUTLET	'E' BODY HT. DIM.
2 thru 6, 8, 10 [50 thru 150, 200, 250]	___ IC Inside Caulk	5 1/4 [133]
2 thru 6, 8, 10 [50 thru 150, 200, 250]	___ IG Inside Caulk w/Sealtrol Gskt.	5 1/4 [133]
2 thru 6, 8, 10 [50 thru 150, 200, 250]	___ IP Threaded	3 3/4 [95]
2 thru 6, 8, 10 [50 thru 150, 200, 250]	___ NH No-Hub	5 1/4 [133]
2 thru 4 [50 thru 100]	___ NL Neo-Loc	4 5/8 [117]

PREFIXES

- ___ Z D.C.C.I. Body and Grate*
- ___ ZB D.C.C.I. Body with Polished Bronze Grate (Add 3/16 [5] to 2 [51] Dim.)
- ___ ZN D.C.C.I. Body with Polished Nickel Bronze Grate (Add 3/16 [5] to 2 [51] Dim.)

SUFFIXES

- | | |
|--------------------------------------|--|
| ___ -DG Duresist Grate | ___ -SS Stainless Mesh Liner for Bucket |
| ___ -DX Dex-o-tex Flange (See Z-532) | ___ -V Backwater Valve (See Z-1099) |
| ___ -G Galvanized Cast Iron | ___ -VP Vandal Proof Secured Top |
| ___ -LY (Less) Sediment Bucket | ___ -90 90° Threaded Side Outlet Body (2 thru 6 [50 thru 150]) |
| ___ -P Trap Primer Connection | |
| ___ -S Secondary Strainer | |

REV.	DATE: 08/13/13	C.N. NO. 129779
PROD./DWG. NO. Z541-131		

*REGULARLY FURNISHED UNLESS OTHERWISE SPECIFIED