



Z888-6-PVSS

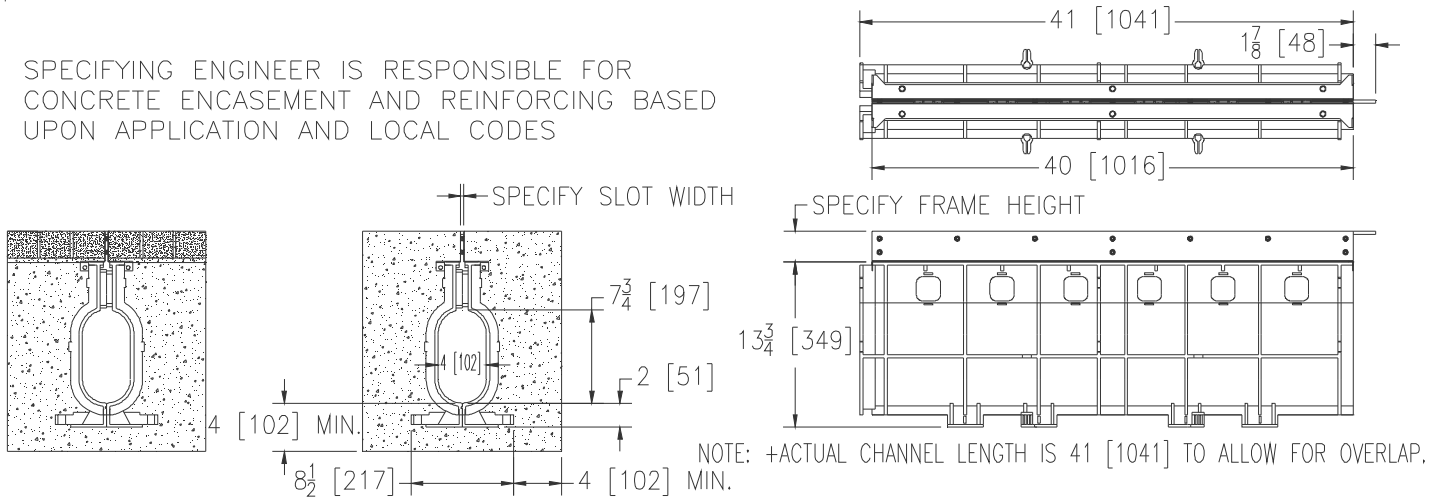
SLOTTED DRAINAGE SYSTEM W/ STAINLESS STEEL TOP FRAME

SPECIFICATION SHEET

TAG _____

Dimensional Data (inches and [mm]) are Subject to Manufacturing Tolerances and Change Without Notice

SPECIFYING ENGINEER IS RESPONSIBLE FOR CONCRETE ENCASEMENT AND REINFORCING BASED UPON APPLICATION AND LOCAL CODES



ENGINEERING SPECIFICATION: Zurn Z888-6-PVSS

Channels are 40 [1016] long, () wide slot and have a 4 [102] throat. Modular channel sections are made of 0% water absorbent High Density Polyethylene (HDPE), and is UV-10 stabilized. Channels have a positive mechanical connection between channel sections that will not separate during the installation and mechanically lock into the concrete surround a minimum of every 6 [152]. Channels weigh less than 5.0 lbs.[2.27 kg] per linear foot, have a smooth, 2 [51] radiused self cleaning neutral bottom with 0% built in slope. Channels have rebar clips molded onto bedding feet and/or bedding feet shall be used for positioning as standard to secure trench in its final location. Trench provided with standard PVSS non-removable grate. Zurn () wide reveal and () tall fabricated Stainless Steel Paver Slot grate. Is rated for pedestrian traffic. Supplied in 40 [1016] nominal lengths with removable zip strip for alignment.

PREFIX OPTIONS (Check/specify appropriate options)

___ Z Three Foot Four Inch High Density Polyethylene (HDPE)*

SUFFIX OPTIONS (Check/specify appropriate options)

Specify Slot Width

- ___ -A (.125 [3.2])
- ___ -B* (.250 [6.4])
- ___ -C (.375 [10])
- ___ -D (.500 [13])
- ___ -E (.625 [16])
- ___ -F (.750 [19.1])

Outlet Adapters Add/Each

- | | |
|-----------------------------------|--------------------------------------|
| ___ -E1 Closed End Cap | ___ -U2 2 [51] No-Hub Bottom Outlet |
| ___ -E2 2 [51] No-Hub End Outlet | ___ -U3 3 [76] No-Hub Bottom Outlet |
| ___ -E3 3 [76] No-Hub End Outlet | ___ -U4 4 [102] No-Hub Bottom Outlet |
| ___ -E4 4 [102] No-Hub End Outlet | ___ -EXT 4 [102] Extension |

Specify Frame Height

- ___ -A (1.00 [25.4])
- ___ -B (1.25 [32])
- ___ -C (1.50 [38.1])
- ___ -D (1.75 [45])
- ___ -E (2.00 [51])
- ___ -F (2.25 [57.2])
- ___ -G* (2.50 [64])
- ___ -H (2.75 [70])
- ___ -I (3.00 [76.2])
- ___ -J (3.25 [83])
- ___ -K (3.50 [89])
- ___ -L (3.75 [95.3])
- ___ -M (4.00 [102])

*REGULARLY FURNISHED UNLESS OTHERWISE SPECIFIED

REV.	DATE: 09/20/13	C.N. NO. 129967
PROD./DWG. NO. Z888-6-PVSS		