

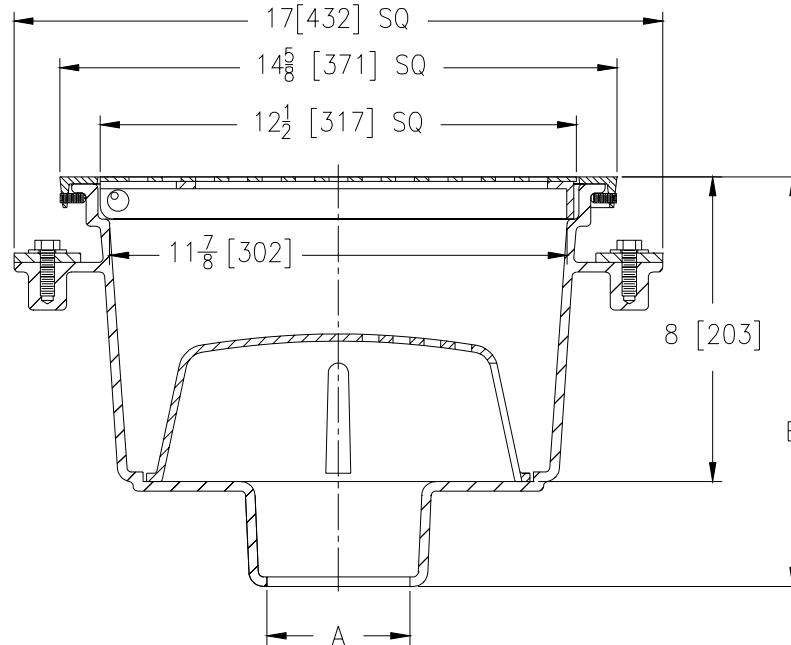


# Z-1920-78

**14 5/8" X 14 5/8" [371 X 371] A.R.C.  
SANI-FLOR RECEPTOR 8" [203] SUMP DEPTH**

TAG \_\_\_\_\_

Dimensional Data (inches and [ mm ]) are Subject to Manufacturing Tolerances and Change Without Notice



A- Pipe Size In.	Approx Wt. Lbs. [kg]	Grate Open Area Sq. In. [cm <sup>2</sup> ]
2-3-4-6-8 [50-75-100-150-200]	81 [37]	42 [271]

**ENGINEERING SPECIFICATION:** ZURN Z-1920-78 Sani-Flor Receptor 14 x 14 x 8 [356 x 356 x 203] deep cast iron body with white acid resisting porcelain enamel interior, nickel bronze hinged top and complete with aluminum anti-splash interior bottom dome strainer.

**OPTIONS** (Check/specify appropriate options)

**PIPE SIZE**

(Specify size/type) **OUTLET**

**'E' BODY HT. DIMENSION**

**ZN**

- 2, 3, 4, 6 [50, 75, 100, 150]
- 8 [200]
- 2, 3, 4 [50, 75, 100]

- \_\_\_ IC Inside Caulk
- \_\_\_ IC Inside Caulk
- \_\_\_ NL Neo-Loc

- 10 [254]
- 10 1/2 [267]
- 9 1/4 [235]

**PREFIXES**

\_\_\_ ZN- Cast Iron Body with White A.R.C. Interior, 14 5/8 [371] Square N.B. Frame and Full Grate\*

**SUFFIXES**

- |  |  |
|--|--|
| <ul style="list-style-type: none"> <li>___ -K Seepage Flange With Seepage Holes</li> <li>___ -LD (Less) Internal Bottom Dome Strainer</li> <li>___ -P 1/2 [13] Threaded Trap Primer Connection (See Z-1023)</li> <li>___ -1 (Less) Grate</li> <li>___ -2 1/2 Grate</li> <li>___ -3 3/4 Grate</li> <li>___ -4 Full Grate With 2 [51] Square Opening</li> <li>___ -5 Grate w/4 [102] Dia. x 3 3/4 [95] High Funnel</li> <li>___ -6 Grate w/6 [152] Dia. x 6 [152] High Funnel</li> <li>___ -7 Grate w/6 3/4 x 3 x 1 [171 x 76 x 25] High Oval Funnel</li> <li>___ -8 Grate w/8 7/8 x 3 5/8 x 3 3/4 [225 x 92 x 95] High Oval Funnel</li> </ul> | <ul style="list-style-type: none"> <li>___ -11 Vandal Proof Secured Grate</li> <li>___ -15 Solid Loose Set Cover</li> <li>___ -16 1/2 Solid Loose Set Cover</li> <li>___ -17 3/4 Solid Loose Set Cover</li> <li>___ -18 Solid Loose Set Cover With 2 [51] Square Center Opening</li> <li>___ -23 Aluminum Bucket</li> <li>___ -25 White A.R.E. Bucket</li> <li>___ -31 Stainless Steel Mesh Liner for Bucket</li> <li>___ -33 White A.R.E. Anti-Splash Bottom Dome Strainer</li> </ul> |
|--|--|

\*REGULARLY FURNISHED UNLESS OTHERWISE SPECIFIED

<b>REV. A</b>	<b>DATE: 9/6/00</b>	<b>C.N. NO. 85849</b>
<b>DWG. NO. P-14486 PRODUCT NO. Z-1920-78</b>		