



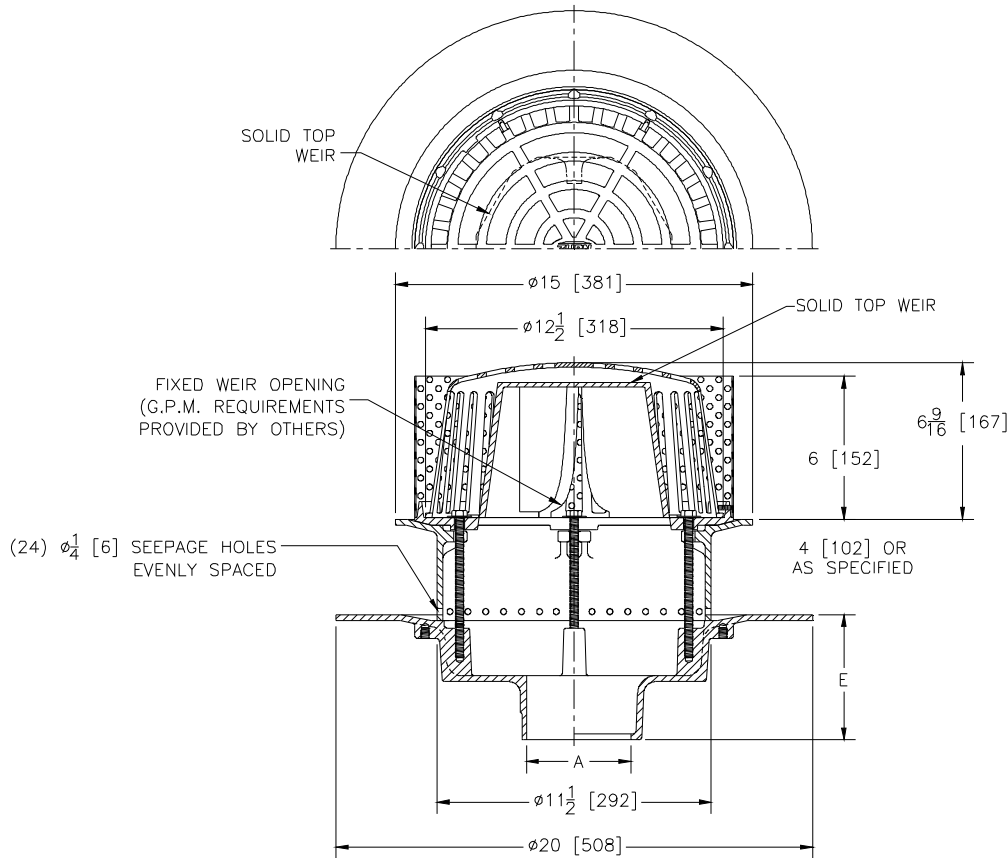
Z105-92

SPECIFICATION SHEET

CONTROL-FLO ROOF DRAIN W/ DEX-O-TEX FLANGE, EXTENSION,
HIGH VANDAL PROOF CAST IRON DOME, HIGH SOLID
TOP PARABOLIC WEIR & GRAVEL GUARD

TAG _____

Dimensional Data (inches and [mm]) are Subject to Manufacturing Tolerances and Change Without Notice



A Pipe Size	Approx. Wt. Lbs. [kg]	Dome Open Area Sq. In. [cm ²]
3 - 4 [76 - 102]	66 [30]	148 [955]

ENGINEERING SPECIFICATION: ZURN Z105-92

20 [508] diameter Control-Flo roof drain for sloped roof construction, Dura-Coated cast iron body with integral Dex-O-Tex flange, cast iron solid top Control-Flo weir shall be linear functioning with integral membrane flashing clamp/gravel guard, cast iron static extension with seepage holes, high cast iron dome, stainless steel perforated gravel guard and vandal-proof secured top. All data shall be verified proportional to flow rates.

OPTIONS (Check/specify appropriate options)

PIPE SIZE

3, 4 [76 - 102]

3, 4 [76 - 102]

(Specify size/type) **OUTLET**

_____ IC Inside Caulk

_____ NH No-Hub

E BODY HT. DIM.

5 - 1/4 [133]

5 - 1/4 [133]

PREFIXES

___ ZC D.C.C.I. Body with 6 - 9/16 [167] High Cast Iron Dome*

SUFFIXES

- ___ -AC Angular Underdeck Clamp
- ___ -AR Acid Resistant Epoxy Coated
- ___ -C Underdeck Clamp
- ___ -G Galvanized Cast Iron
- ___ -GD Galvanized Cast Iron Dome
- ___ -85 Stainless Steel Perforated Extension

REV. DATE: 05/08/12 C.N. NO. 124346

DWG. NO. 309571 PRODUCT NO. Z105-92

*REGULARLY FURNISHED UNLESS OTHERWISE SPECIFIED