

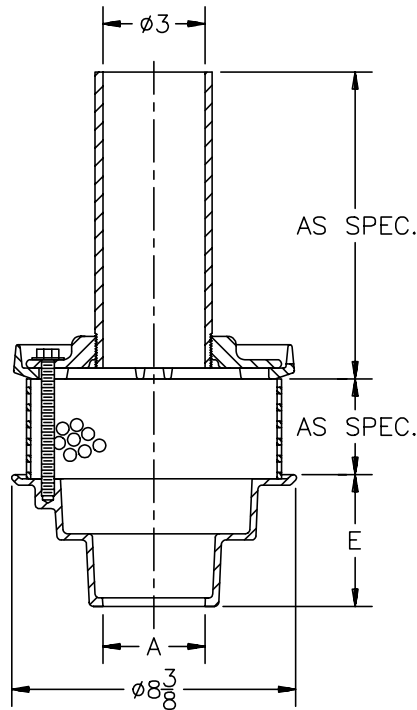


Z-125-96
8 3/8 DIAMETER ROOF DRAIN

SPECIFICATION SHEET

TAG _____

Dimensional Data (inches and [mm]) are Subject to Manufacturing Tolerances and Change Without Notice



A- Pipe Size In.	Approx. Wt. Lbs.
2-3-4	17

ENGINEERING SPECIFICATION: ZURN Z-125-96 8 3/8 Diameter roof drain, Dura-Coated cast iron body with combination membrane flashing clamp/gravel guard, invertible membrane clamp, stainless steel perforated extension and standpipe.

OPTIONS (Check/specify appropriate options)

PIPE SIZE	(Specify size/type)	OUTLET	E BODY HT. DIM.
2,3,4	_____	IC Inside Caulk	3 7/8
2,3,4	_____	IG Inside Caulk w/Sealtrol Gskt.	3 7/8
2,3,4	_____	IP Threaded	2 5/8
2,3,4	_____	NH No-Hub	3 7/8

PREFIXES

- _____ Z- D.C.C.I. Body*
- _____ ZA- D.C.C.I. Body
- _____ ZRB- D.C.C.I. Body

SUFFIXES

- _____ -AR Acid Resistant Epoxy Coated Finish
- _____ -C Underdeck Clamp
- _____ -E Static Extension 1 thru 4 (Specify Ht.)
- _____ -G Galvanized Cast Iron
- _____ -R Roof Sump Receiver
- _____ -XJ Vertical Expansion Joint (See Z-190)
- _____ -84 Stainless Steel Perforated Gravel Guard
- _____ -90 90° Threaded Side Outlet Body

REV.	DATE: 05/05/95	C.N. NO. 71779
DWG. NO. P-14171 PRODUCT NO. Z-125-96		

*REGULARLY FURNISHED UNLESS OTHERWISE SPECIFIED