



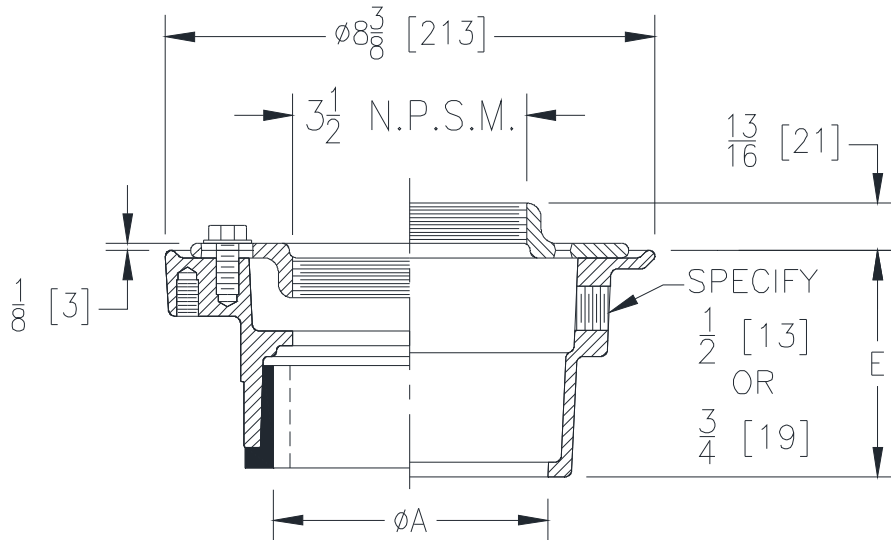
# Z415-155

BODY ASSEMBLY W/ INVERTIBLE CLAMP COLLAR & TRAP PRIMER CONNECTION

SPECIFICATION SHEET

TAG \_\_\_\_\_

Dimensional Data (inches and [ mm ]) are Subject to Manufacturing Tolerances and Change Without Notice



Dimensions In Inches	Approx. Wt. Lbs. [kg]
A Pipe Size	
2-3-4 [51-76-102]	9 [4]
6 [152]	12 [5]

**ENGINEERING SPECIFICATION: ZURN Z415-155**

Floor and shower drain, Dura-Coated cast iron body with bottom outlet, and combination invertible membrane clamp with trap primer connection.

**OPTIONS** (Check/specify appropriate options)

**PIPE SIZE**

- 2-3-4 [51-76-102]
- 2-3-4 [51-76-102]
- 2 [51]
- 3 [76]
- 4 [102]
- 6 [152]
- 2-3-4 [51-76-102]
- 2-3-4 [51-76-102]

(Specify size/type) **OUTLET**

- \_\_\_\_\_ IC Inside Caulk
- \_\_\_\_\_ IG Inside Gasket
- \_\_\_\_\_ IP Threaded
- \_\_\_\_\_ IP Threaded
- \_\_\_\_\_ IP Threaded
- \_\_\_\_\_ IP Threaded
- \_\_\_\_\_ NH No-Hub
- \_\_\_\_\_ NL Neo-Loc

**'E' BODY HT. DIM.**

- 3-7/8 [98]
- 3-7/8 [98]
- 2-3/8 [60]
- 2-5/8 [67]
- 2-7/8 [73]
- 2-3/4 [70]
- 3-7/8 [98]
- 3-3/4 [95]

**PREFIXES**

- \_\_\_\_\_ Z D.C.C.I. Body and Collar

**SUFFIXES**

- \_\_\_\_\_ -AR Acid Resisting Epoxy Coated Cast Iron
- \_\_\_\_\_ -G Galvanized Cast Iron
- \_\_\_\_\_ -U 3 [76] High Extension Adapter

\* Regularly furnished unless otherwise specified.