



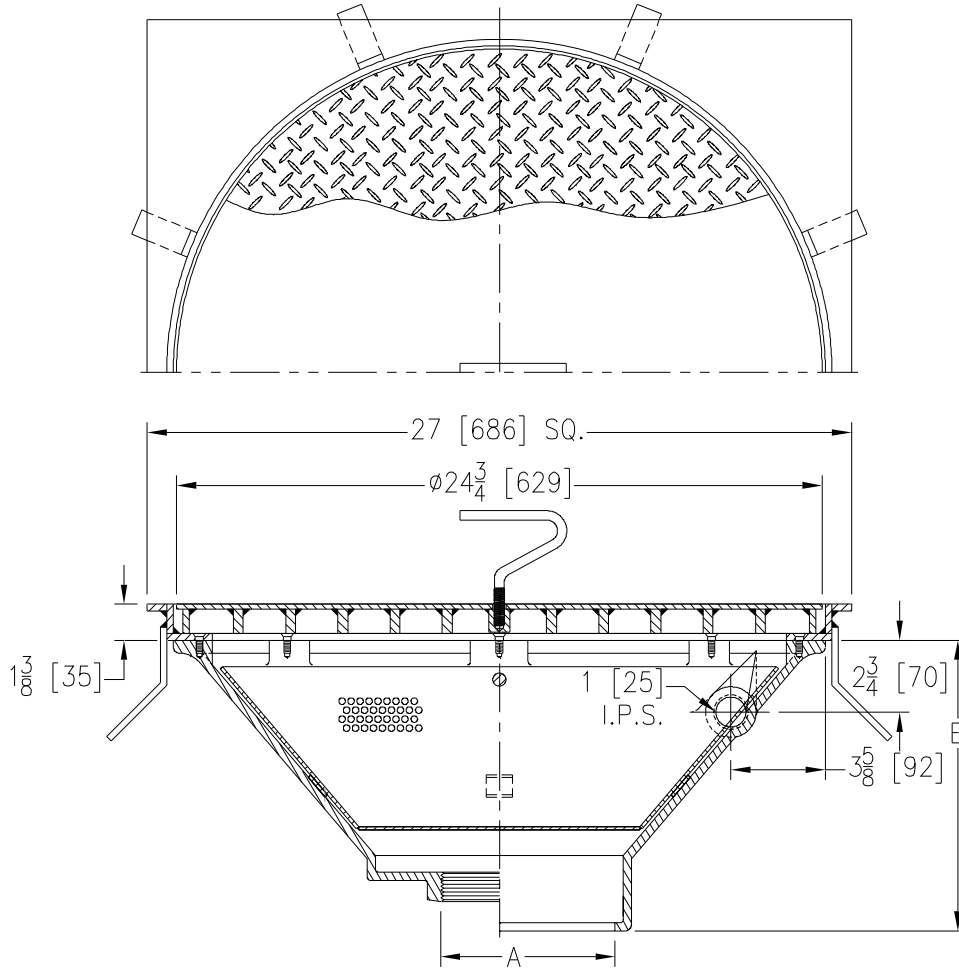
# Z319-82

## THOROFLUSH DRAIN - LARGE CAPACITY W/ STAINLESS STEEL COVER & SEDIMENT BUCKET

SPECIFICATION SHEET

TAG \_\_\_\_\_

Dimensional Data (inches and [ mm ]) are Subject to Manufacturing Tolerances and Change Without Notice



A Pipe Size	Approx. Wt. Lbs. [kg]
3-4-5-6-8 [76-102-127-152-203]	150 [68]

**ENGINEERING SPECIFICATION: ZURN Z319-82**

25 [635] Large Capacity Thoroflush Drain, cast iron body with white acid resistant coated interior, bottom outlet, flushing connection, perforated removable sediment bucket, and Type 304 (CF8) stainless steel scoriated cover with removable lift handle and frame with anchor straps.

**OPTIONS** (Check/specify appropriate options)

**PIPE SIZE**

- 3 thru 6-8 [76 thru 152-203]
- 3-4-6 [76-102-152]
- 3 thru 6-8 [76 thru 152-203]

(Specify size/type) **OUTLET**

- \_\_\_\_\_ IC Inside Caulk
- \_\_\_\_\_ IG Inside Caulk w/Sealtrol Gskt.
- \_\_\_\_\_ IP Threaded

**'E' BODY HT. DIM.**

- 11 1/8 [283]
- 11 1/8 [283]
- 10 [254]

**PREFIXES**

- \_\_\_\_\_ Z Cast Iron Body w/ A.R.C. Interior and Stainless Steel Cover\*

**SUFFIXES**

- \_\_\_\_\_ -G Galvanized Cast Iron
- \_\_\_\_\_ -WB Water Supply Control Box (See Z1464)

\*REGULARLY FURNISHED UNLESS OTHERWISE SPECIFIED

REV.	DATE: 5/12/09	C.N. NO. 99979
DWG. NO. P-15713		PRODUCT NO. Z319-82