



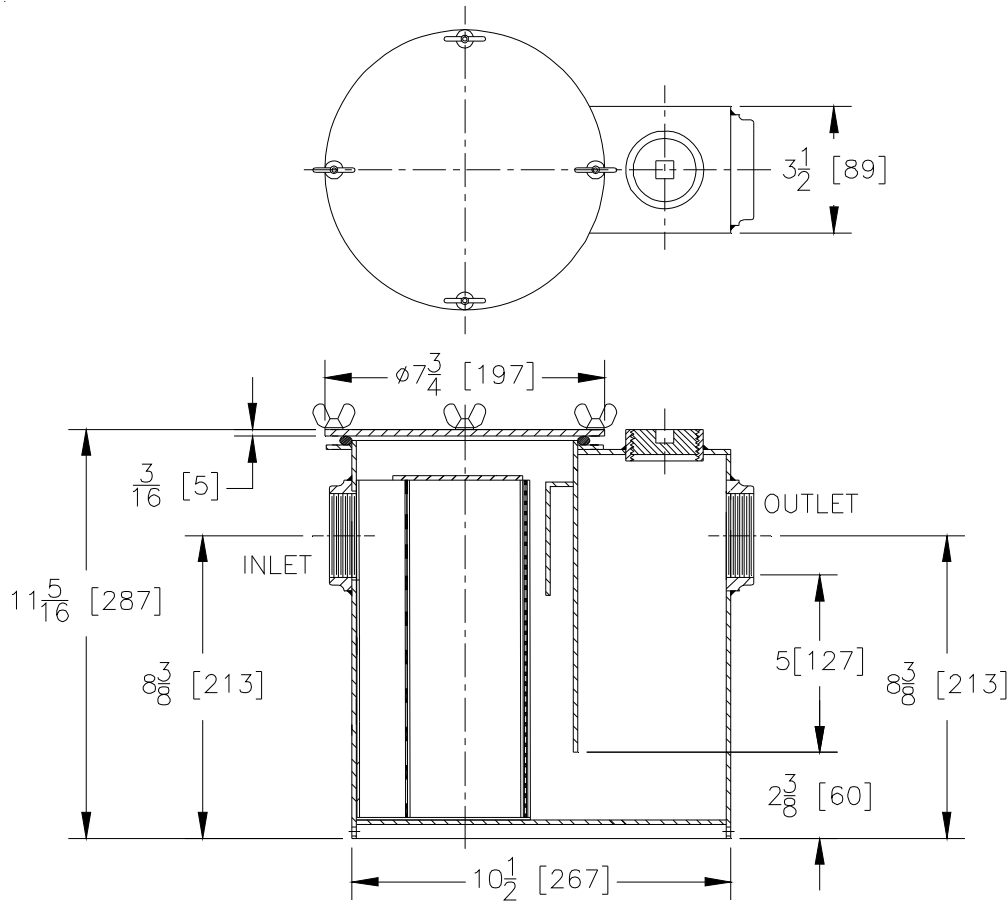
Z1180-78

FABRICATED SOLIDS INTERCEPTOR

SPECIFICATION SHEET

TAG _____

Dimensional Data (inches and [mm]) are Subject to Manufacturing Tolerances and Change Without Notice



Inlet/Outlet Inches	Flow Rate GPM [L]	Approx. Wt. Lbs. [kg]
1-1/2, 2** [38, 50]	15 [57]	10 [4]

ENGINEERING SPECIFICATION: ZURN Z1180-78

Acid Resistant Coated interior and exterior fabricated steel solids interceptor, in lieu of fixture 'P' trap, for on-floor installation furnished with a removable ARC fabricated steel bucket having removable 3/8 [10] dia. perforated primary and 3/32 [2] dia. secondary flow diffusing/intercepting brass screens, designed to intercept all types of solids and precious metals. Complete with a top access gasketed secured cover. Regularly furnished with 2 [50] threaded inlet and outlet.**

OPTIONS (Check/specify appropriate options)

PREFIXES

___ Z Acid Resistant Coated Fabricated Steel*

SUFFIXES

___ -FF Flush with Floor Installation
 ___ -SS Stainless Mesh Screen for Basket
 ___ -YR Replacement Basket Assembly

REV. C	DATE: 7/15/10	C.N. NO. 111378
DWG. NO. P-14350 PRODUCT NO. Z1180-78		

*REGULARLY FURNISHED UNLESS OTHERWISE SPECIFIED