



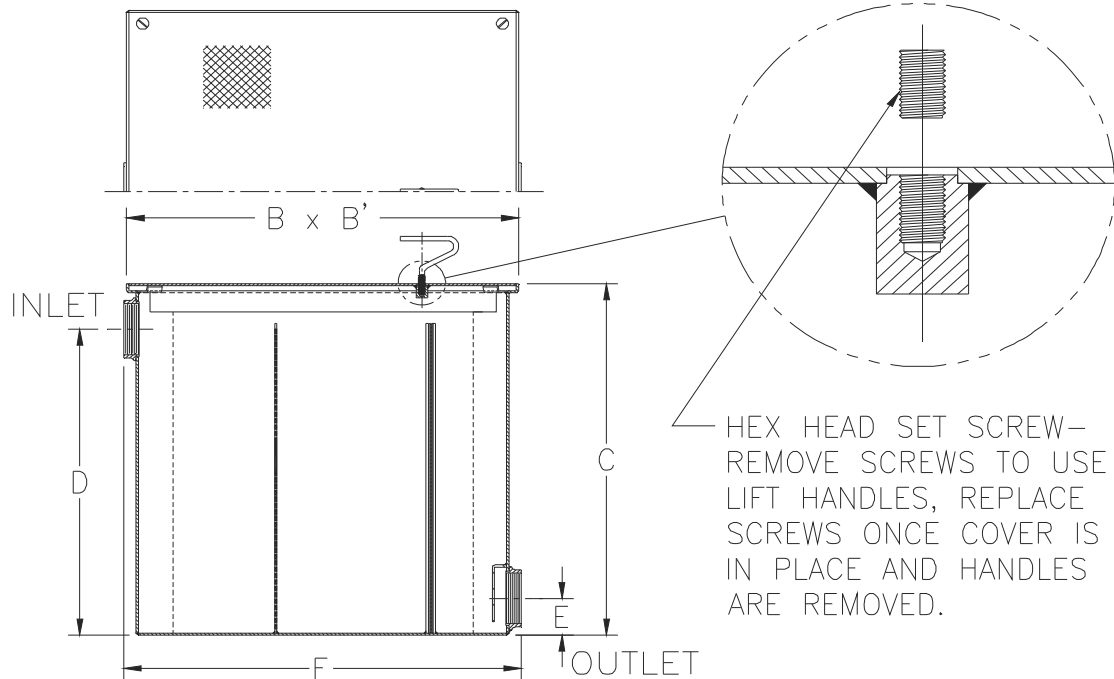
Z1185-141

HEAVY-DUTY LINT INTERCEPTOR W/ STAINLESS STEEL COVER

SPECIFICATION SHEET

TAG _____

Dimensional Data (inches and [mm]) are Subject to Manufacturing Tolerances and Change Without Notice



Size No. of machines	Inlet/Outlet Size In [mm]	Flow Rate G.P.M. [LPM]	Approx. Wt. Lbs. [kg]	Dimensions In Inches [mm]					
				B	B'	C	D	E	F
3	2 [51]	30 [113]	93 [42]	17 [432]	17 [432]	19-1/2 [495]	13-1/2 [343]	3-1/4 [82]	17-1/4 [438]
7	3 [76]	70 [265]	155 [70]	25 [635]	25 [635]	23 [584]	17 [432]	3-1/4 [82]	25-1/2 [648]
10	4 [102]	100 [378]	271 [123]	33 [838]	33 [838]	31 [787]	25 [635]	4 [102]	34 [864]
20	4 [102]	200 [756]	404 [183]	40 [1016]	40 [1016]	38 [965]	32 [813]	4 [102]	41 [1041]
30	6 [152]	300 [1134]	654 [297]	45 [1143]	45 [1143]	43 [1092]	36 [914]	5 [127]	46 [1168]
40	6 [152]	400 [1512]	723 [328]	48 [1219]	48 [1219]	46 [1168]	39 [991]	5 [127]	49 [1245]
50	6 [152]	500 [1890]	911 [414]	52 [1321]	52 [1321]	50 [1270]	43 [1092]	5 [127]	53 [1346]

ENGINEERING SPECIFICATION: ZURNZ1185-141

Acid Resistant Coated interior and exterior fabricated steel lint interceptor, non-skid heavy-duty secured stainless steel cover rated at 10,000 lb [4534 kg] maximum safe live load with removable lift handle, aluminum lint intercepting secondary screen assembly with 3/32" [2mm] Square openings and permanent primary straining baffle with 3/8" [10mm] diameter perforated holes. Regularly furnished with high inlet and low outlet. Note: size #3 and #7 covers are not furnished with a lift handle.

OPTIONS (Check/specify appropriate options)

PREFIXES

- _____ Z Acid Resistant Coated Fabricated Steel Body with Type 304 Stainless Steel Cover*
- _____ ZS All Type 304 Fabricated Stainless Steel

SUFFIXES

- _____ -E Acid Resistant Coated interior and exterior fabricated steel extension section (Specify 'C' dimension required for recessed installation).
- _____ -RS Stainless Steel Screen Replacement Assembly

* Regularly furnished unless otherwise specified.