



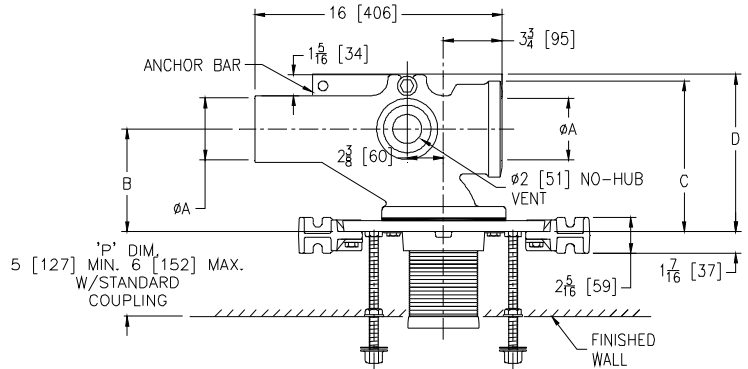
Z1203-H-X

ADJUSTABLE HORIZONTAL SIPHON JET 500 LB.

[227 KG.] HUB & SPIGOT W/ HEAVY-DUTY REAR ANCHOR TAG TIE DOWN

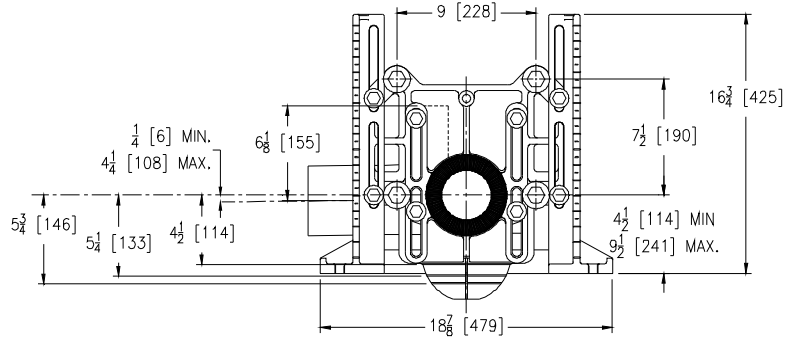
SPECIFICATION SHEET

Dimensional Data (inches and [mm]) are Subject to Manufacturing Tolerances and Change Without Notice



Note:

1. Min. 'P' Dim. Obtainable=2 [51]
2. Feet bolted to floor using min. 1/2 [13] dia. bolts and back slots on carrier feet.
3. Rear anchor bar required for secure installation.



Product Number	A	B	C	D	Approx. Wt. Lbs. [kg.]
Z1203-HL4/HR4-X	4 [102]	6-1/2 [165]	8-5/8 [219]	10 [254]	70 [32]
Z1203-HL5/HR5-X	5 [127]	6-1/2 [165]	9-1/4 [235]	10-1/2 [267]	74 [34]

ENGINEERING SPECIFICATION: ZURN Z1203-H(-)-X

Adjustable, horizontal siphon jet 500 Lb.[227 Kg.] water closet "Rigid System" with Hub & Spigot connections. Complete with Dura-Coated cast iron right hand or left hand main fitting, with 2 [51] vent, adjustable gasketed faceplate, universal floor mounted foot supports, corrosion resistant adjustable ABS coupling with integral test cap, fixture bolts, trim, stud protectors, heavy-duty rear anchor tie down, and bonded "Neo-Seal" gasket.

OPTIONS (Check/specify appropriate options)

- _____ Z1203-HR4-X 4 [102] Hub & Spigot Right Hand Inlet with Flow to Left
- _____ Z1203-HL4-X 4 [102] Hub & Spigot Left Hand Inlet with Flow to Right
- _____ Z1203-HR5-X 5 [127] Hub & Spigot Right Hand Inlet with Flow to Left
- _____ Z1203-HL5-X 5 [127] Hub & Spigot Left Hand Inlet with Flow to Right

PREFIXES

- _____ Z D.C.C.I. System with Zurn "ZZ" Adjustable Coupling*
- _____ ZQ D.C.C.I. System with NPT Faceplate, Non-Adjustable Coupling

SUFFIXES

- _____ -A Auxiliary Support Assembly (For 'P' Dim. Greater than 18 [457])
- _____ -BC Back Cleanout
- _____ -CC Corrosion Resistant Cast Iron Coupling (6 to 12 [152 to 305])
- _____ -G Galvanized Cast Iron
- _____ -CV Closed Vent (Use only when local codes allow)
- _____ -M Auxiliary Foot Support (for 'P' Dim. 10 - 18 [254 - 457])
- _____ -PF Pre-Fab Foot
- _____ -VP Vandal Proof Trim
- _____ -45 Finishing Frame for Siphon Jet System
- _____ -50 Flush Valve Supply Support for Water Closets
- _____ -61 "ZZ" Coupling Wrench

* Regularly furnished unless otherwise specified.