

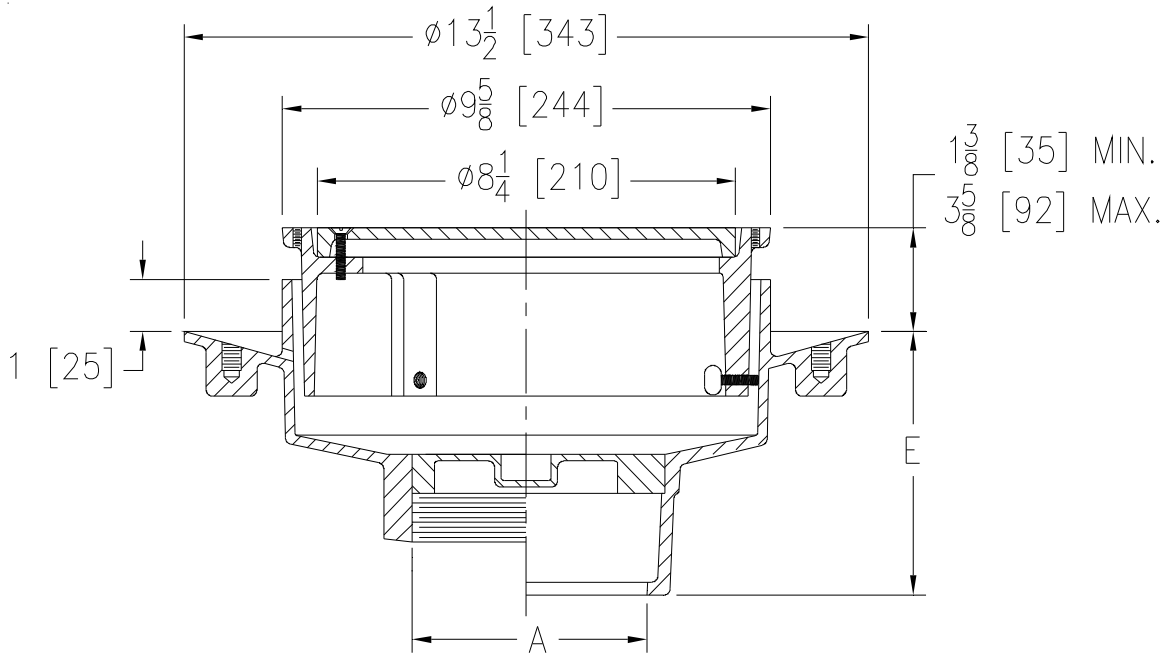


Z1454
ADJUSTABLE FLOOR CLEANOUT
W/ FLASHING FLANGE

SPECIFICATION SHEET

TAG _____

Dimensional Data (inches and [mm]) are Subject to Manufacturing Tolerances and Change Without Notice



A Pipe Size In. [mm]	Approx. Wt. Lbs [kg]
2,3 [51,76]	33 [15]
4 [102]	34 [15]

ENGINEERING SPECIFICATION: ZURN Z1454

Adjustable Floor cleanout, Dura-Coated cast iron body, gas and watertight ABS tapered thread plug, and round scoriated Dura-Coated cast iron adjustable with secured cover top complete with membrane flashing flange.

OPTIONS (Check/specify appropriate options)

PIPE SIZE

2,3,4 [51,76,102]
 2,3,4 [51,76,102]

(Specify size/type) **OUTLET**

___ IC Inside Caulk
 ___ IP Threaded

'E' DIM

5-1/4 [133]
 4-1/4 [108]

PREFIXES

- ___ Z Dura-Coated Cast Iron.*
- ___ ZB D.C.C.I. with Polished Bronze Scoriated Top (Add 3/16 [5] to 1-3/8 [35] Min.- 3-5/8 [92] Max.)
- ___ ZN D.C.C.I. with Polished Nickel Bronze Scoriated Top (Add 3/16 [5] to 1-3/8 [35] Min.- 3-5/8 [92] Max.)

SUFFIXES

- ___ -A Raised Head Plug
- ___ -C Clamp Collar
- ___ -DC Duresist Cover
- ___ -G Galvanized Cast Iron
- ___ -VP Vandal-Proof Secured Top

* Regularly furnished unless otherwise specified.