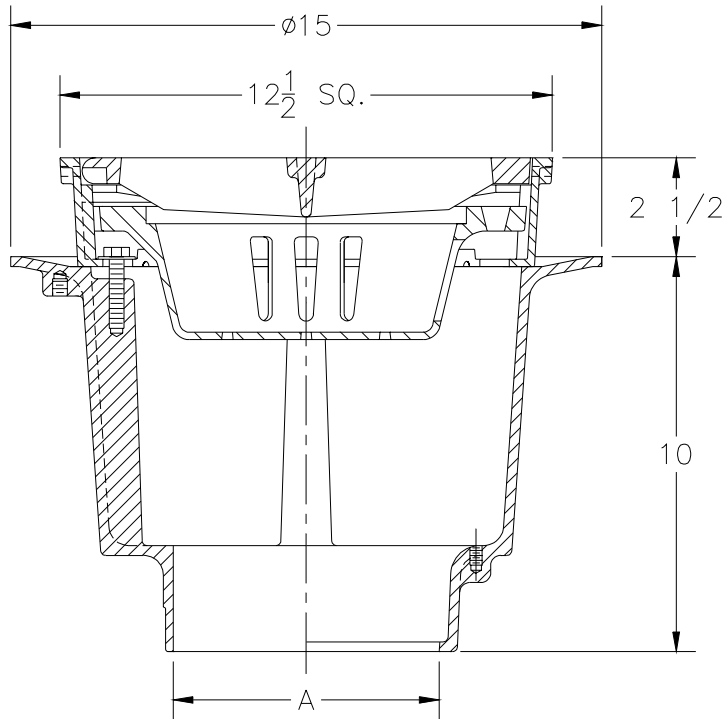




Z-610-82 12" HEAVY DUTY DRAIN

TAG _____

Dimensional Data (inches and [mm]) are Subject to Manufacturing Tolerances and Change Without Notice



A- Pipe Size In.	Approx. Wt. Lbs.	Grate Open Area Sq. In.
2-3-4-5-6	79	40
8-10	75	

ENGINEERING SPECIFICATION: ZURN Z-610-82

12" Square top drain, Dura-Coated cast iron deep sump body with bottom outlet, seepage pan and combination membrane flashing clamp and frame for heavy duty cast iron loose soltted grate, with suspended sediment bucket.

OPTIONS (Check/specify appropriate options)

OUTLET (Specify type)

- _____ **IC** Inside Caulk
- _____ **IG** Inside Caulk w/Sealtrol Gskt.
- _____ **IP** Threaded
- _____ **NH** No-Hub
- _____ **NL** Neo-Loc

PIPE SIZE (Specify size)

- _____ 2" thru 6", 8", 10"
- _____ 2", 3", 4", 6"
- _____ 2" thru 6", 8", 10"
- _____ 2" thru 6", 8", 10"
- _____ 2" thru 4", 5", 6"

PREFIXES

- _____ **Z-** D.C.C.I. Body and Grate*
- _____ **ZB-** D.C.C.I. Body with Polished Bronze Grate (Add 3/16" to 2-1/2 Dim & 3/4 to 12-1/2" Dim.)
- _____ **ZN-** D.C.C.I. Body with Polished Nickel Bronze Grate (Add 3/16" to 2-1/2 Dim & 3/4 to 12-1/2" Dim.)

SUFFIXES

- _____ **-DG** Duresist Grate
- _____ **-DX** Dex-o-tex flange (ZB & ZN only)
- _____ **-G** Galvanized Cast Iron
- _____ **-H** Hinged Grate
- _____ **-HL** Hinged Locking Grate
- _____ **-LY** (Less) Bucket
- _____ **-SS** Stainless Mesh Liner for Bucket
- _____ **-VP** Vandal Proof Secured Top
- _____ **-YA** Aluminum Sediment Bucket

*REGULARLY FURNISHED UNLESS OTHERWISE SPECIFIED

REV.	DATE: 11/16/92	C.N. NO. 68711
DWG. NO. P-13772 PRODUCT NO. Z-610-82		

ZURN INDUSTRIES, INC. ♦ SPECIFICATION DRAINAGE OPERATION ♦ 1801 Pittsburgh Ave. ♦ Erie, PA 16514

Phone: 814/455-0921 ♦ Fax: 814/454-7929 ♦ World Wide Web: www.zurn.com

In Canada: ZURN INDUSTRIES LIMITED ♦ 3544 Nashua Drive ♦ Mississauga, Ontario L4V1L2 ♦ Phone: 905/405-8272 Fax: 905/405-1292