



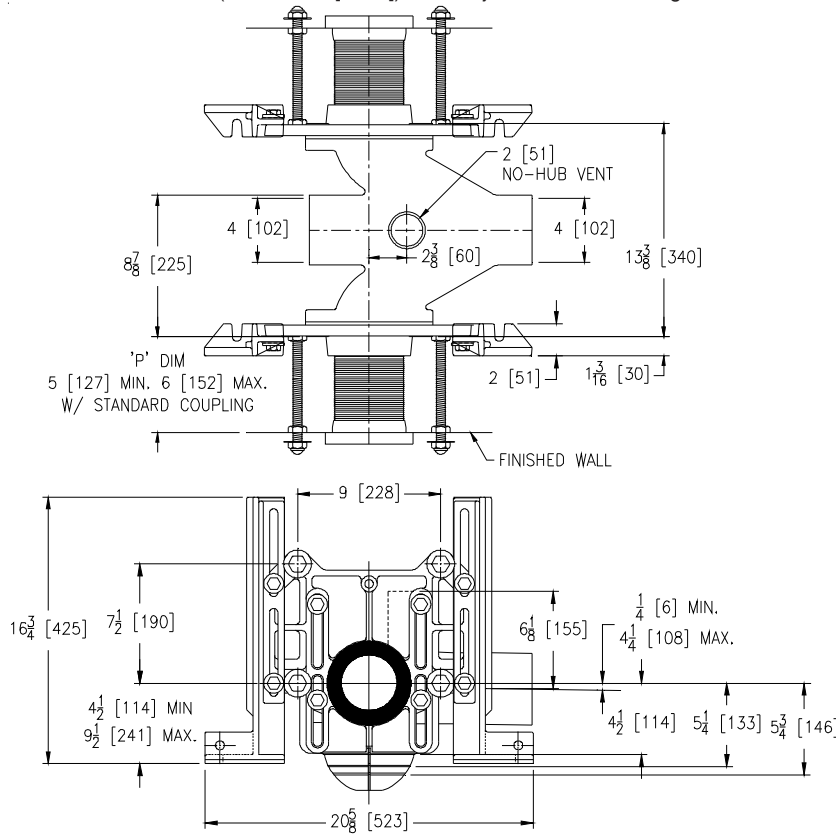
Z1203-ND4-PF

ADJUSTABLE HORIZONTAL BACK TO BACK SIPHON JET-NO HUB W/ PREFAB FEET

SPECIFICATION SHEET

TAG _____

Dimensional Data (inches and [mm]) are Subject to Manufacturing Tolerances and Change Without Notice



Product Number	Approx. Wt. Lbs. [kg]
Z1203-ND4-PF	120 [54]

Note:

1. Min. 'P' Dim. Obtainable = 2 [51] with cut standard coupling
2. Feet bolted to floor using min. 1/2 [13] dia. bolts and back slots on carrier feet.

ENGINEERING SPECIFICATION: ZURN Z1203-ND4-PF

Adjustable, horizontal siphon jet water closet "Rigid System" with 4" [102mm] No-Hub connections. Complete with Dura-Coated cast iron double main fitting, with 2" [51mm] vent, adjustable gasketed face plates, prefab foot supports, corrosion resistant adjustable ABS couplings with integral test cap, fixture bolts, trim, stud protectors and bonded "Neo-Seal" gaskets.

OPTIONS (Check/specify appropriate options)

___ Z1203-ND4-PF 4 [102] No-Hub Back to Back Inlet (Double)

PREFIXES

- ___ Z D.C.C.I. System with Zurn "ZZ" Adjustable Coupling*
- ___ ZQ D.C.C.I. System with Non-Adjustable Coupling

SUFFIXES

- ___ -A Auxiliary Support Assembly (for 'P' Dim. Greater Than 18 [457])
- ___ -B Blowout Type Fixture Support
- ___ -CC Corrosion Resistant Cast Iron Coupling (6 - 12 [152 - 305])
- ___ -CL Coupling Length Other Than Standard 6 [152] (Specify Length Required.)
- ___ -F Floor Mount, Back Outlet Fixture Support
- ___ -JC 2 [51] Auxiliary Inlet with Sanitary Sweep on Faceplate Centerline (No-Hub only)
- ___ -M Auxiliary Foot Support (for 'P' Dim. 10 - 18 [254 - 457])
- ___ -VP Vandal-Proof Trim
- ___ -X3 3 [76] Foot Extension (See Z1200-FT-EXT-3)
- ___ -X4 4 [102] Foot Extension (See Z1200-FT-EXT-4)
- ___ -45 Finishing Frame for Siphon Jet System (See Z1200-FINFRAME-SJ)
- ___ -50 Flush Valve Supply Support for W.C. (See Z1200-SPLY-SPRT-WC)

* Regularly furnished unless otherwise specified.