



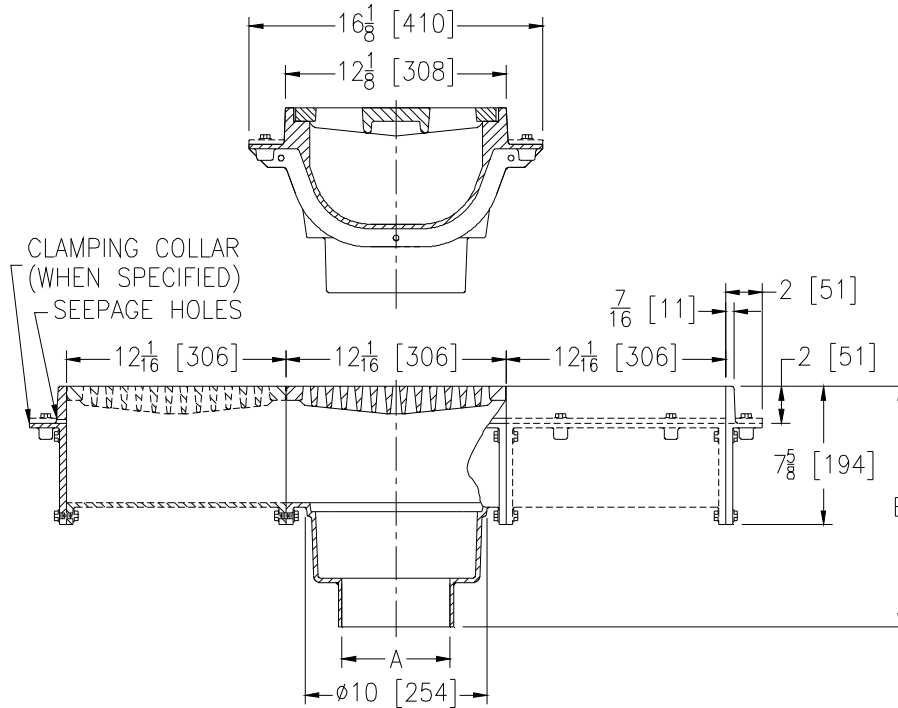
# Z665-95

12 [305] WIDE MODULAR TRENCH DRAIN  
HEAVY-DUTY W/6 [152] NO-HUB OUTLET

SPECIFICATION SHEET

TAG \_\_\_\_\_

Dimensional Data (inches and [ mm ]) are Subject to Manufacturing Tolerances and Change Without Notice



A Pipe Size In. [mm]	Approx. Wt. Lbs. [kg]	Grate Open Area Sq. In. [cm <sup>2</sup> ]
6 [152]	110 [50]	35 [226]

**ENGINEERING SPECIFICATION ZURN Z665-95**  
12" [305mm] Wide top modular trench drain, Dura-Coated cast iron deep sump body with bottom outlet. Both 12" [305mm] long outlet module and extension modules (specify -ES suffix) are complete with integral seepage pan and heavy-duty loose slotted grate.

**OPTIONS** (Check/specify appropriate options)

**PIPE SIZE**

6 [152]

(Specify size/type) **OUTLET**

\_\_\_\_\_ NH No-Hub

**'E' BODY HT. DIM.**

12-3/4 [324]

**PREFIXES**

- \_\_\_\_\_ Z D.C.C.I. Body and Top\*
- \_\_\_\_\_ ZB D.C.C.I. Body w/Polished Bronze Top (Add 1/8 [3] to 'E' and 2 [51] Dim.)
- \_\_\_\_\_ ZN D.C.C.I. Body w/Polished Stainless Steel Top (Add 1/8 [3] to 'E' and 2 [51] Dim.)

**SUFFIXES**

- \_\_\_\_\_ -AR Acid Resisting Epoxy Coated Cast Iron (Per Section)
- \_\_\_\_\_ -C Clamp Collar (Per Section)
- \_\_\_\_\_ -DB Bottom Dome Strainer (Per Outlet Section)
- \_\_\_\_\_ -DG Duresist Grate (Per Section)
- \_\_\_\_\_ -ES 12 [305] Extension Section (Specify Number of Sections Required)
- \_\_\_\_\_ -G Galvanized Cast Iron (Per Section)
- \_\_\_\_\_ -HP Heel-Proof Grate (ZB and ZN Only) (Per Section)
- \_\_\_\_\_ -SB Shallow Body (Bucket not Available)
- \_\_\_\_\_ -SQ Square Slotted Medium-Duty Grate
- \_\_\_\_\_ -TS Top Secured with Slotted Screws (Per Section)
- \_\_\_\_\_ -VP Vandal-Proof Secured Top (Per Section)
- \_\_\_\_\_ -Y Sediment Bucket (Per Outlet Section)

\* Regularly furnished unless otherwise specified.