



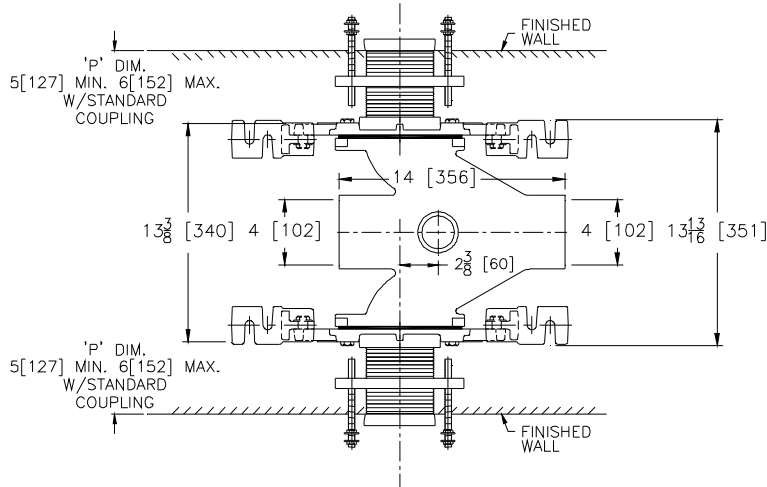
# Z1203-ND-128

## NARROW WALL ADJUSTABLE 4 [102] BACK TO BACK HORIZONTAL SIPHON JET NO-HUB W/ MODIFIED FACE PLATE FOR 4[102] ROUGH, BACK OUTLET FIXTURE SUPPORT

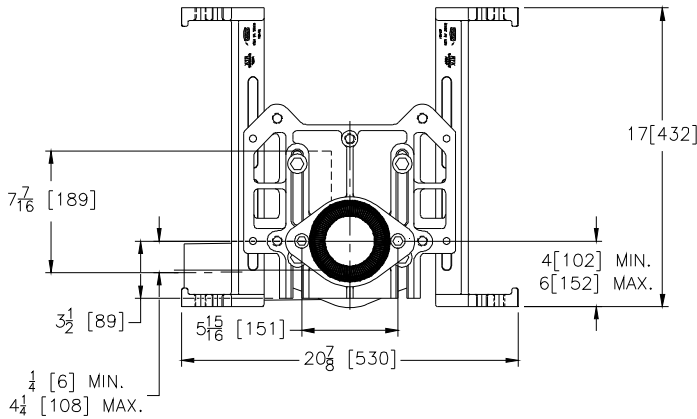
SPECIFICATION SHEET

TAG \_\_\_\_\_

Dimensional Data (inches and [ mm ]) are Subject to Manufacturing Tolerances and Change Without Notice



| Product Number | Approx. Wt. Lbs. [kg] |
|----------------|-----------------------|
| Z1203-ND-128   | 120 [51]              |



**Note:**

1. Min. 'P' Dim. Obtainable = 2 [51]
2. Feet bolted to floor using min. 1/2 [13] dia. bolts and back slots on carrier feet.

**ENGINEERING SPECIFICATION: ZURN Z1203-ND-128**

Adjustable, horizontal siphon jet water closet "Rigid System" with 4 [102] No-Hub connections. Complete with Dura-Coated cast iron fitting, with 2 [51] vent, adjustable gasketed modified chase saver faceplates, RYK-Unistrut Pre-Fab foot supports, corrosion resistant adjustable ABS couplings with integral test cap, fixture bolts, trim, bonded "Neo-Seal" gaskets, and floor mount back outlet fixture supports.

**OPTIONS (Check/specify appropriate options)**

**Z1203-ND-128** 4 [102] No-Hub Back to Back Inlet (Double) w/ RYK foot

**PREFIXES**

- \_\_\_ Z D.C.C.I. System with Zurn "ZZ" Adjustable Coupling\*
- \_\_\_ ZQ D.C.C.I. System with NPT Faceplate, Non-Adjustable Coupling

**SUFFIXES**

- \_\_\_ -VP Vandal Proof Trim
- \_\_\_ -50 Flush Valve Supply Support for Water Closets
- \_\_\_ -61 "ZZ" Coupling Wrench

\*REGULARLY FURNISHED UNLESS OTHERWISE SPECIFIED

|                 |                |                          |
|-----------------|----------------|--------------------------|
| REV.            | DATE: 10/11/12 | C.N. NO. 124831          |
| DWG. NO. 310607 |                | PRODUCT NO. Z1203-ND-128 |

ZURN INDUSTRIES, LLC ♦ SPECIFICATION DRAINAGE OPERATION ♦ 1801 Pittsburgh Ave. ♦ Erie, PA 16514

Phone: 814455-0921 ♦ Fax: 814454-7929 ♦ World Wide Web: www.zurn.com

In Canada: ZURN INDUSTRIES LIMITED ♦ 3544 Nashua Drive ♦ Mississauga, Ontario L4V1L2 ♦ Phone: 905405-8272 Fax: 905405-1292