



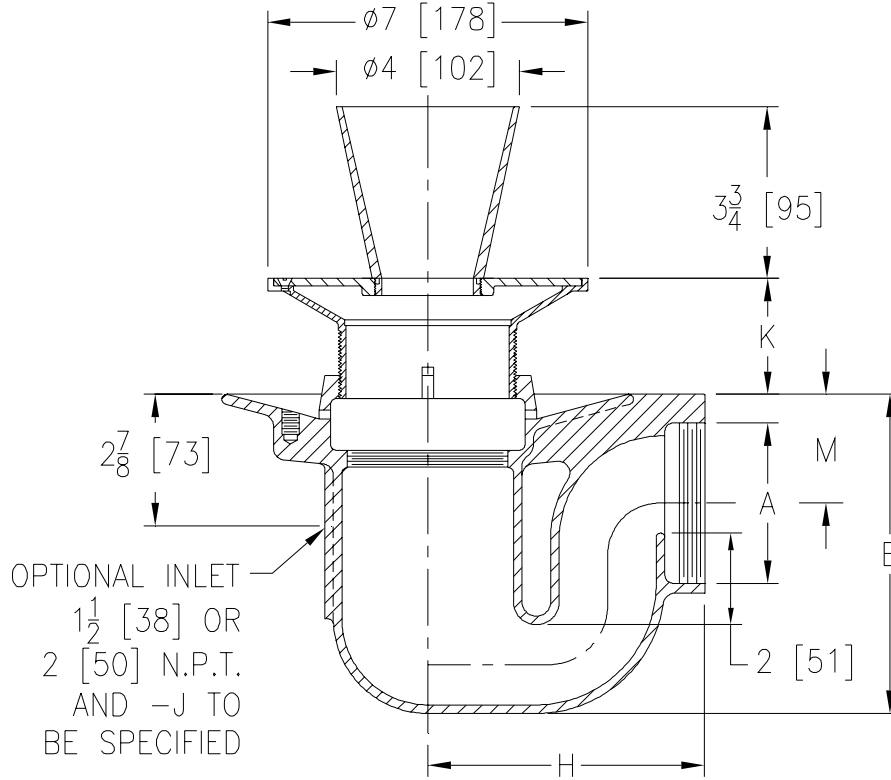
Z450E

DRUM TRAP DRAIN W/ "TYPE E" STRAINER

SPECIFICATION SHEET

TAG _____

Dimensional Data (inches and [mm]) are Subject to Manufacturing Tolerances and Change Without Notice



Dimensions In Inches					Approx. Wt. Lbs. [kg]	Strainer Open Area Sq. In. [cm ²]
A Pipe Size	H	K		M		
		Min.	Max.			
2-3 [51-76]	6 [152]	1 1/2 [38]	3 [76]	2 [51]	33 [15]	5 [32]
4 [102]	6 7/8 [175]			2 1/2 [64]		

ENGINEERING SPECIFICATION: ZURN ZN450E Drum trap floor and shower drain, Dura-Coated cast iron body with integral trap, side outlet, seepage pan, and adjustable "TYPE E" polished, nickel bronze strainer with 4 [102] diameter funnel.

OPTIONS (Check/specify appropriate options)

PIPE SIZE	(Specify size/type)	OUTLET	'E' BODY HT. DIM.
2-3 [51-76]	_____	IP Threaded	6 1/2 [165]
4 [102]	_____	IP Threaded	7 3/8 [187]
2-3 [51-76]	_____	NH No-Hub	7 3/8 [187]
4 [102]	_____	NH No-Hub	7 3/8 [187]

PREFIXES

- _____ ZB D.C.C.I. Body Assembly w/Polished Bronze Top
- _____ ZN D.C.C.I. Body Assembly w/Polished Nickel Bronze Top*

SUFFIXES

- | | |
|--|--|
| _____ -C Clamping Collar | _____ -V Backwater Valve (Ball Float Type) |
| _____ -G Galvanized Cast Iron | _____ -VP Vandal-Proof Secured Top |
| _____ -J Auxiliary Inlet (Specify 1 1/2 [38] or 2 [51]) | _____ -Y Sediment Bucket |
| _____ -P Trap Primer Connection (Specify 1/2 [13] or 3/4 [19]) | |
| _____ -U 1 - 3 [25 - 76] High Extension Adapter | |

*REGULARLY FURNISHED UNLESS OTHERWISE SPECIFIED

REV.	DATE: 2/10/06	C.N. NO. 94709
DWG. NO. 82614		PRODUCT NO. Z450E