



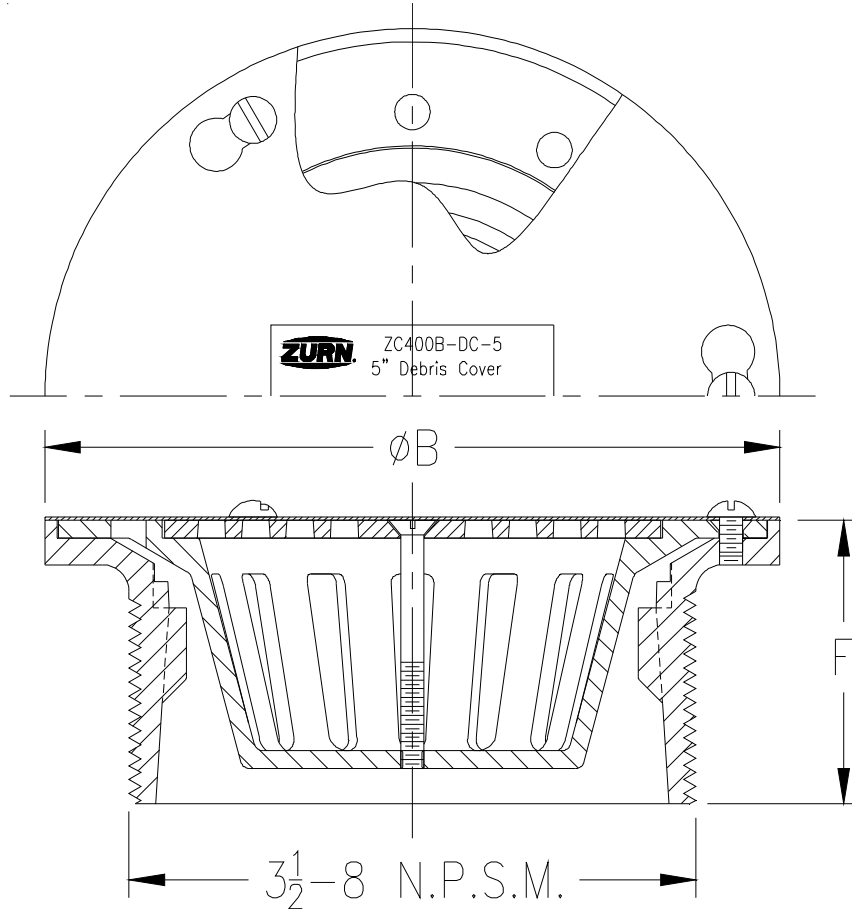
# Z400M-DC

SPECIFICATION SHEET

## "TYPE M" ROUND STRAINER W/ SLOTTED OPENINGS, DEBRIS COVER & SUR-SET BUCKET

TAG \_\_\_\_\_

Dimensional Data (inches and [ mm ]) are Subject to Manufacturing Tolerances and Change Without Notice



Strainer Designation	Dimension in Inches		Approx. Wt. Lbs. [kg]	Open Area Sq. In. [cm <sup>2</sup> ] (After Removal of Debris Cover)
	Size B	Height F		
-5M	5 [127]	2 [51]	2 [1]	4 [26]

**ENGINEERING SPECIFICATION:** ZURNZ( )400M-DC "TYPE M" round adjustable light-duty strainer top with slotted heel-proof openings, secured grate, galvanized steel construction debris cover and Sur-Set bucket. (Specify ZB or ZN finish)

**OPTIONS** (Check/specify appropriate options)

**PREFIXES**

- \_\_\_ ZB Polished Bronze Top
- \_\_\_ ZN Polished Nickel Bronze Top

**SUFFIXES**

- \_\_\_ -CP Chrome Plated Bronze Top
- \_\_\_ -DP Decorative Polished Top
- \_\_\_ -EF 3/8 [10] Extension Frame
- \_\_\_ -VP Vandal-Proof Secured Top

REV. -	DATE: 11/15/11	C.N. NO. 122441
DWG. NO. 308220	PRODUCT NO. Z400M-DC	