



Z886-PVS-SW

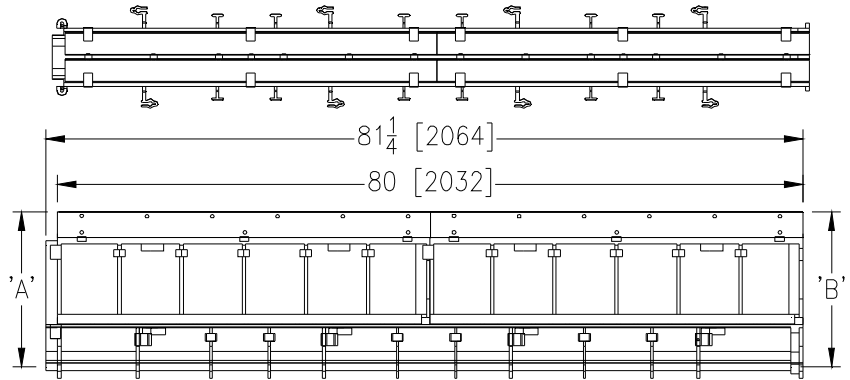
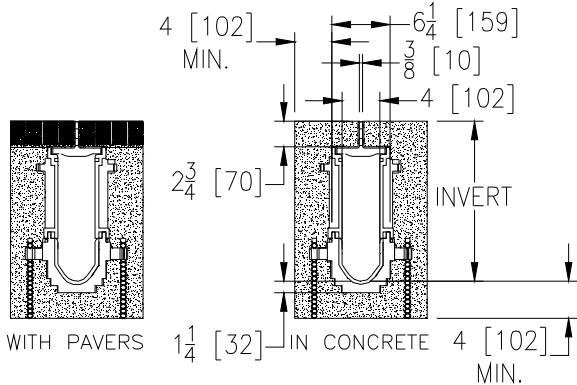
SPECIFICATION SHEET

.375 [10] WIDE REVEAL TRENCH DRAIN SYSTEM WITH PAVER SLOT GRATE AND 9 [229] SIDEWALL EXTENSIONS

TAG _____

Dimensional Data (inches and [mm]) are Subject to Manufacturing Tolerances and Change Without Notice

SPECIFYING ENGINEER IS RESPONSIBLE FOR CONCRETE ENCASEMENT AND REINFORCING BASED UPON APPLICATION AND LOCAL CODES



NOTE: + Actual Channel length is 81 1/4 [2064] to allow for overlap.

ENGINEERING SPECIFICATION: Zurn Z886-PVS-SW Channels shall be 80 [2032] long, .375 [10] wide slot and have a 4 [102] throat. Modular channel sections shall be made of 0% water absorbent High Density Polyethylene (HDPE). Shall have a positive mechanical connection between channel sections that will not separate during the installation and shall mechanically lock into the concrete surround a minimum of every 10 [254]. Channels shall weigh less than 2.31 lbs.[1.05kg] per linear foot, have a smooth, 1.5 [38] radiused self cleaning bottom with a Manning's coefficient of 0.009 and 0.75% or neutral 0% built in slope. Channels shall have rebar clips standard to secure trench in its final location. Channels shall have HDPE SW Side Walls attached for an additional 9 [229] added to the standard channel invert for additional flow capability shown in chart below. Shall be provided with standard PVS non-removable grates. Zurn 0.375 [10] wide reveal and 2.75 [70] tall fabricated Steel Paver Slot grate with Ductile Iron Paver Slot grate reinforcing conforming to ASTM specification A536-84, Grade 80-55-06. is rated class C per the DIN EN1433 top load classifications. Supplied in 40 [1016] nominal lengths with 0.75 [19] bearing depth. Grate has an open area of 4.5 sq. in per ft. [9,525 sq. mm per meter].

PREFIX OPTIONS (Check/specify appropriate options)

___ Z Six-foot, Eight-inch High Density Polyethylene (HDPE)*

SUFFIX OPTIONS (Check/specify appropriate options)

Outlet Adapters Add/Each

- ___ -E1 Closed End Cap
- ___ -E2 2 [51] No-Hub End Outlet
- ___ -E3 3 [76] No-Hub End Outlet
- ___ -E4 4 [102] No-Hub End Outlet
- ___ -E6 6 [152] No-Hub End Outlet
- ___ -U2 2 [51] No-Hub Bottom Outlet
- ___ -U3 3 [76] No-Hub Bottom Outlet
- ___ -U4 4 [102] No-Hub Bottom Outlet
- ___ -U6 6 [152] No-Hub Bottom Outlet

Miscellaneous Options

___ -JC Joint Connector

Decorative MADE in the U.S.A.

Grate Options (Load Classifications are per DIN EN1433)

- ___ -PVSG Galvanized Paver Slot Grate - Class C
- ___ -PVSS Stainless Steel Paver Slot Grate - Class C

Trench No.	'A' Shallow Inv.	'B' Deep Inv.	Flow		
			(cfs)	(gpm)	(lps)
8601SW	15.25 [387]	15.85 [403]	1.25	563	35
8602SW	15.85 [403]	16.45 [418]	1.32	595	38
8603SW	16.45 [418]	17.05 [433]	1.40	627	40
8603NSW	17.05 [433]	17.05 [433]	-	-	-
8604SW	17.05 [433]	17.65 [448]	1.47	659	42
8605SW	17.65 [448]	18.25 [464]	1.54	691	44
8606SW	18.25 [464]	18.85 [479]	1.61	723	46
8606NSW	18.85 [479]	18.85 [479]	-	-	-
8607SW	18.85 [479]	19.45 [494]	1.68	755	48
8608SW	19.45 [494]	20.05 [509]	1.75	788	50
8609SW	20.05 [509]	20.65 [525]	1.83	820	52
8610SW	20.65 [525]	21.25 [540]	1.90	852	54
8611SW	21.25 [540]	21.85 [555]	1.97	884	56
8612SW	21.85 [555]	22.45 [570]	2.04	916	58
8612NSW	22.45 [570]	22.45 [570]	-	-	-
8613SW	22.45 [570]	23.05 [585]	2.11	949	60
8614SW	23.05 [601]	23.65 [601]	2.19	981	62
8615SW	23.65 [601]	24.25 [616]	2.26	1013	64

*REGULARLY FURNISHED UNLESS OTHERWISE SPECIFIED

REV. A DATE: 8/24/10 C.N. NO. 111585
 DWG. NO. 94266 PRODUCT NO. Z886-PVS-SW

ZURN INDUSTRIES, LLC ♦ SPECIFICATION DRAINAGE OPERATION ♦ 1801 Pittsburgh Ave. ♦ Erie, PA 16514

Phone: 814455-0921 ♦ Fax: 814454-7929 ♦ World Wide Web: www.zurn.com

In Canada: ZURN INDUSTRIES LIMITED ♦ 3544 Nashua Drive ♦ Mississauga, Ontario L4V1L2 ♦ Phone: 905405-8272 Fax: 905405-1292