

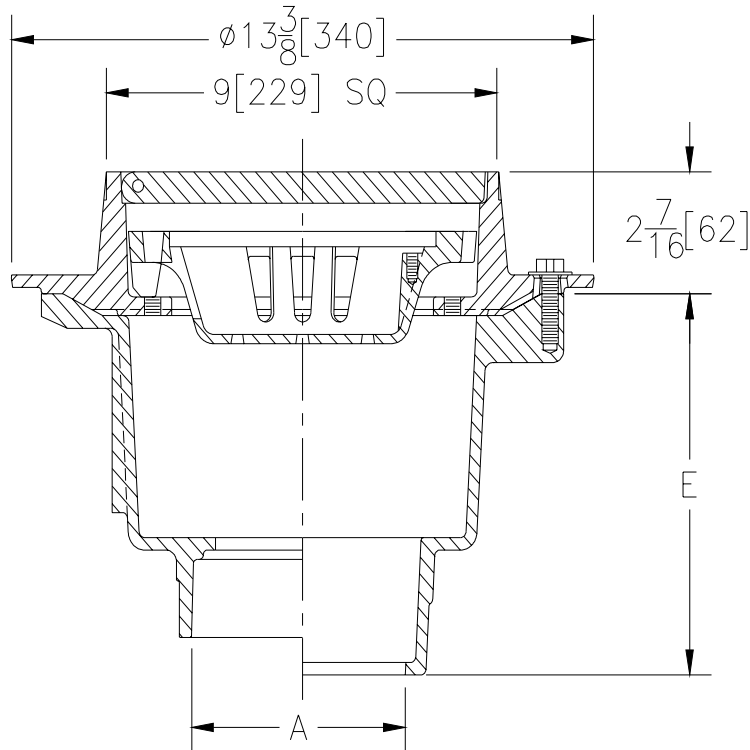


Z-513-76

9" [229] SQUARE HINGED HEAVY DUTY DRAIN

TAG _____

Dimensional Data (inches and [mm]) are Subject to Manufacturing Tolerances and Change Without Notice



A- Pipe Size In.	Approx. Wt. Lbs. [kg]	Grate Open Area Sq. In. [cm ²]
2-3-4 [50-75-100]	57 [26]	20 [129]

ENGINEERING SPECIFICATION: ZURN Z-513-76 9 [229] Diameter top heavy duty drain, Dura-Coated cast iron deep sump body with bottom outlet, seepage pan and combination flashing clamp and frame for hinged solid heavy duty cover.

OPTIONS (Check/specify appropriate options)

PIPE SIZE

(Specify size/type) **OUTLET**

'E' BODY HT. DIM.

2, 3, 4 [50, 75, 100]	___ IC Inside Caulk	7 1/2 [190]
2, 3, 4 [50, 75, 100]	___ IG Inside Caulk w/Sealtrol Gskt.	7 1/2 [190]
2, 3, 4 [50, 75, 100]	___ NL Neo-Loc	6 5/8 [168]

PREFIXES

___ Z- D.C.C.I. Body and Grate*

SUFFIXES

- | | |
|---|--|
| ___ -AR Acid Resisting Epoxy Coated Finish | ___ -SS Stainless Mesh Screen Over |
| ___ -F Extension Frame | ___ Dome/Liner for Bucket |
| ___ -FC Extension Frame and Secondary Clamp Collar | ___ -W Winter Closure Plug (See Z-511) |
| ___ -G Galvanized Cast Iron | |
| ___ -J Auxiliary Inlet Connection
(Specify 1 1/2 [38] or 2 [50]) | |
| ___ -LY (Less) Sediment Bucket | |
| ___ -P Trap Primer Connection
(Specify 1/2 [13] or 3/4 [19]) | |
| ___ -S Secondary Strainer | |

*REGULARLY FURNISHED UNLESS OTHERWISE SPECIFIED

REV.	DATE: 09/05/96	C.N. NO. 75652
DWG. NO. P-14370 PRODUCT NO. Z-513-76		