



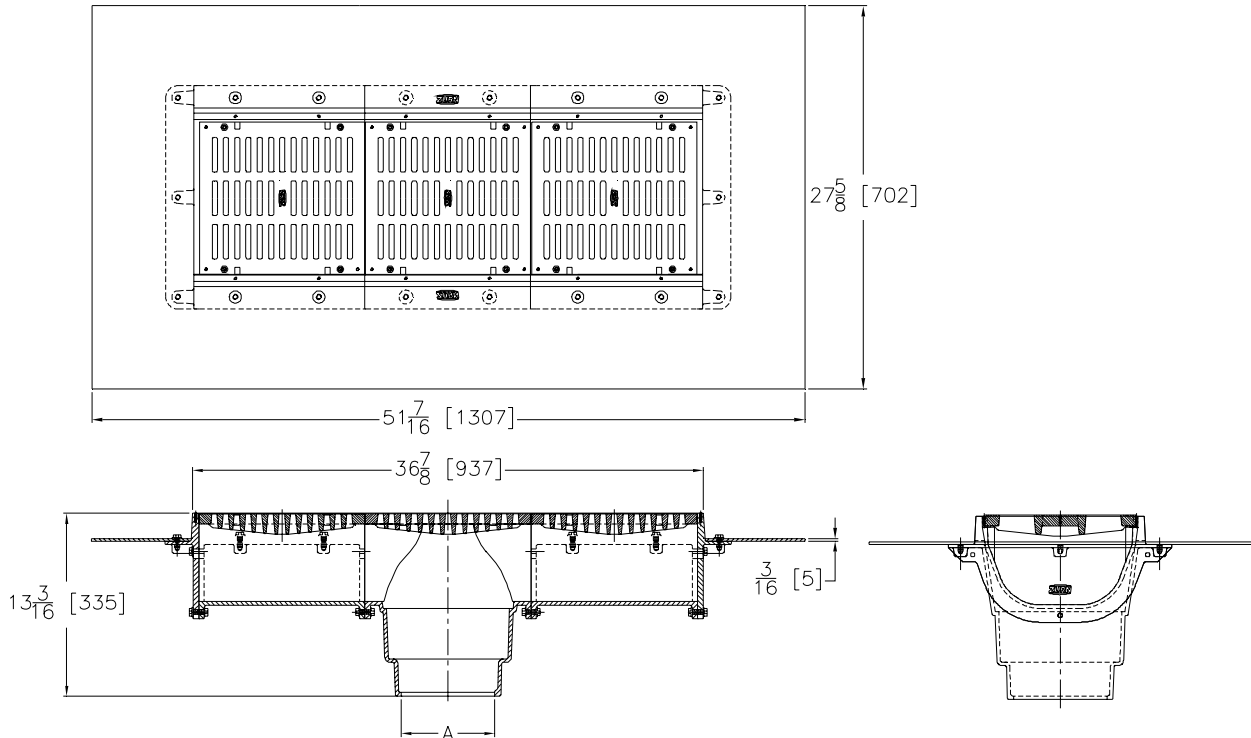
# Z665-91

## 12 [305] WIDE MODULAR TRENCH DRAIN HEAVY-DUTY

SPECIFICATION SHEET

TAG \_\_\_\_\_

Dimensional Data (inches and [ mm ]) are Subject to Manufacturing Tolerances and Change Without Notice



A Pipe Size In.	Approx. Wt. Lbs. [kg]	Grate Open Area Sq. In. [cm <sup>2</sup> ]
2-3-4 [51-76-102]	258 [117]	108 [697]
5-6 [127-152]	258 [117]	

### ENGINEERING SPECIFICATION Z665-91

12 [305] Wide flange modular trench drain, Dura-Coated cast iron deep sump body with bottom outlet. The 12 [305] long outlet module and both 12 [305] extension module are complete with integral seepage pan and heavy-duty loose slotted grate.

### OPTIONS (Check/specify appropriate options)

#### PIPE SIZE

- 2 thru 6 [51 thru 152]
- 2 thru 4, 6 [51 thru 102, 152]
- 2 thru 4 [51 thru 102]

#### (Specify size/type) OUTLET

- \_\_\_\_\_ IC Inside Caulk
- \_\_\_\_\_ IG Inside Caulk w/Sealtrol Gskt.
- \_\_\_\_\_ NL Neo-Loc

#### 'E' BODY HT. DIM.

- 13 3/16 [335]
- 13 3/16 [335]
- 12 1/2 [318]

#### PREFIXES

- \_\_\_\_\_ Z D.C.C.I. Body and Grate\*
- \_\_\_\_\_ ZB D.C.C.I Body w/Polished Bronze Top (Add 1/8 [3] to 'E' and 2 [51] Dim.)
- \_\_\_\_\_ ZN D.C.C.I Body w/Polished Stainless Steel Top Frame and Grate (Add 1/8 [3] to 'E' and 2 [51] Dim.)

#### SUFFIXES

- \_\_\_\_\_ -AR Acid Resisting Epoxy Coated Cast Iron
- \_\_\_\_\_ -DB Bottom Dome Strainer
- \_\_\_\_\_ -DG Duresist Grate
- \_\_\_\_\_ -G Galvanized Cast Iron
- \_\_\_\_\_ -HP Heel-Proof Grate
- \_\_\_\_\_ -TS Top Secured with Slotted Screws
- \_\_\_\_\_ -VP Vandal-Proof Secured Top
- \_\_\_\_\_ -Y Sediment Bucket

REV. DATE: 03/13/06 C.N. NO. 94886

DWG. NO. P-15258 PRODUCT NO. Z665-91

\*REGULARLY FURNISHED UNLESS OTHERWISE SPECIFIED

ZURN INDUSTRIES, INC. ♦ SPECIFICATION DRAINAGE OPERATION, ♦ 1801 Pittsburgh Ave. ♦ Erie, PA 16514

♦ Phone: 814/455-0921 Fax: 814/454-7929 World Wide Web: www.ZURN.com

In Canada: ZURN INDUSTRIES LIMITED ♦ 3544 Nashua Drive ♦ Mississauga, Ontario L4V1L2 ♦ Phone: 905/405-8272 Fax: 905/405-1292