



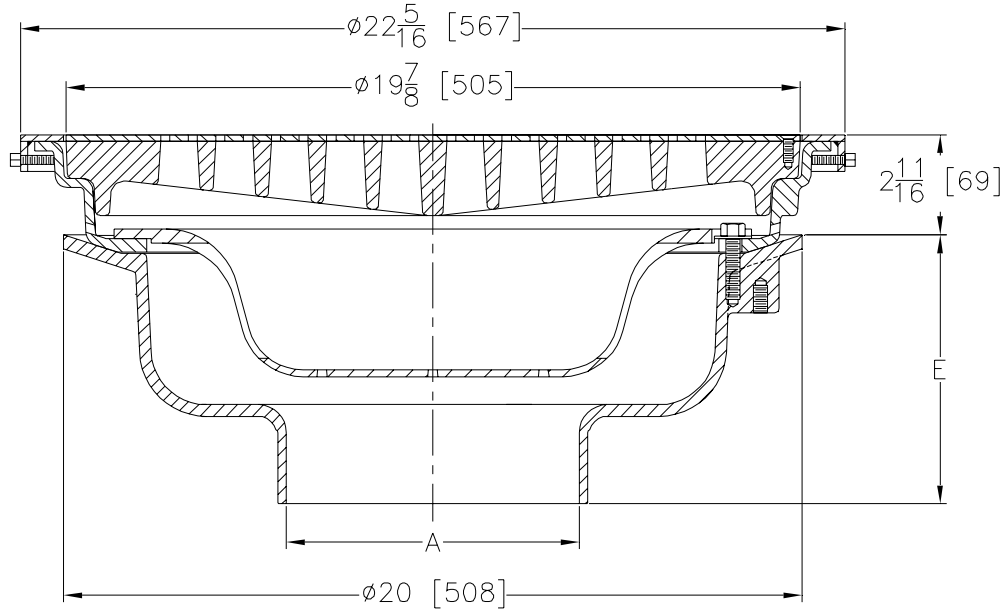
Z546-77

22 5/16 [567] DIAMETER EXTRA-HEAVY-DUTY DRAIN W/HEEL-PROOF VENEER GRATE

SPECIFICATION SHEET

TAG _____

Dimensional Data (inches and [mm]) are Subject to Manufacturing Tolerances and Change Without Notice



A Pipe Size	Approx. Wt. Lbs. [kg]	Grate Open Area Sq. In. [cm ²]
8-10-12 [203-254-305]	163 [74]	53 [342]

ENGINEERING SPECIFICATION: ZURN Z546-77
22 5/16 [567] Diameter top drain, Dura-Coated cast iron body with bottom outlet, seepage pan and combination membrane flashing clamp and frame with seepage holes, extra-heavy-duty cast iron slotted grate with heel-proof veneer and suspended sediment bucket.

OPTIONS (Check/specify appropriate options)

PIPE SIZE

8-10-12 [203 - 254 - 305]

(Specify size/type) **OUTLET**

___ NH No-Hub

'E' BODY HT. DIM.

7 5/16 [186]

PREFIXES

- ___ ZB D.C.C.I. Body and Polished Bronze Top
- ___ ZS D.C.C.I. Body and Polished Stainless Steel Top*

SUFFIXES

- ___ -AR Acid Resistant Epoxy Coated
- ___ -DG Duresist Grate
- ___ -F Extension Frame 1 [25] thru 4 [102] (Specify total height req'd.)
- ___ -G Galvanized Cast Iron
- ___ -LY Less Sediment Bucket
- ___ -TS Top Secured with Slotted Screws
- ___ -VP Vandal-Proof Secured Top

REV.	DATE: 11/20/06	C.N. NO. 95864
DWG. NO. P-15354	PRODUCT NO. Z546-77	

*REGULARLY FURNISHED UNLESS OTHERWISE SPECIFIED