



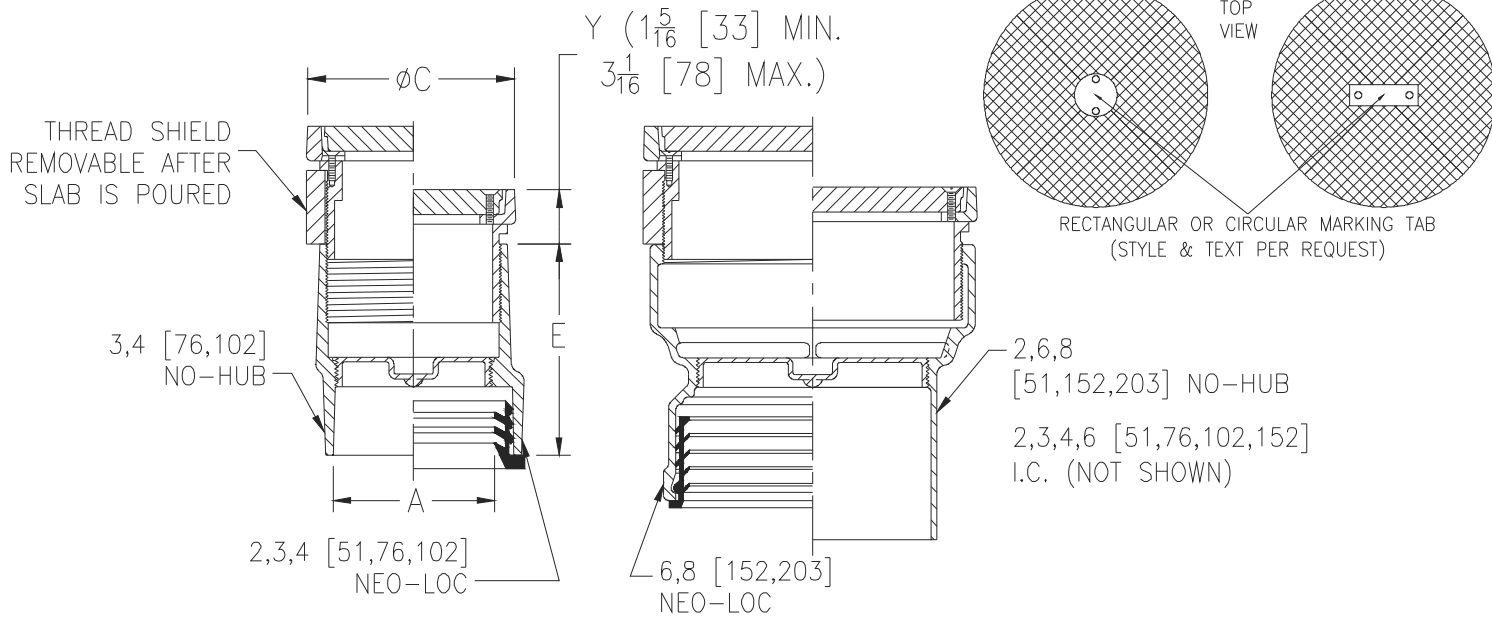
# Z1400-SM

## EXTRA-HEAVY-DUTY "LEVEL-TROL" ADJUSTABLE FLOOR CLEANOUT W/ SPECIAL MARKING TAB

SPECIFICATION SHEET

TAG \_\_\_\_\_

Dimensional Data (inches and [ mm ]) are Subject to Manufacturing Tolerances and Change Without Notice



### ENGINEERING SPECIFICATION: ZURN Z1400-SM

"Level-Trol" Adjustable floor cleanout, Dura-Coated cast iron body with gas and watertight ABS tapered thread plug and round scoriated cast iron extra-heavy-duty secured top (Specify finish Z, ZB, ZN, ZS) adjustable to finished floor.

Dimension In Inches [mm]			Approx. Wt. Lbs. [kg.]
A-Pipe Size	C	E	
Inside Caulk			
2 [51]	6-1/8 [156]	6-7/8 [175]	13.8 [6.3]
3 [76]	6-1/8 [156]	6-7/8 [175]	14 [6.4]
4 [102]	7-1/4 [184]	6-7/8 [175]	18.3 [8.3]
6 [152]	9-1/4 [235]	6-7/8 [175]	32.2 [14.6]
No-Hub			
2 [51]	4-1/8 [105]	4-5/8 [117]	7 [3]
3 [76]	4-1/8 [105]	4-3/4 [121]	7.7 [3.5]
4 [102]	5-1/8 [130]	4-3/4 [121]	10.3 [4.7]
6 [152]	8-1/4 [210]	4-3/4 [121]	22.2 [10.1]
8 [203]	9-1/4 [235]	7-1/2 [191]	29.9 [13.6]
Neo-Loc			
2 [51]	4-1/8 [105]	4-3/4 [121]	7.9 [3.6]
3 [76]	5-1/8 [130]	4-3/4 [121]	10.6 [4.8]
4 [102]	5-1/8 [130]	4-3/4 [121]	11.9 [5.4]
6 [152]	8-1/4 [210]	5-7/8 [149]	21.9 [9.9]
8 [203]	9-1/4 [235]	6-1/2 [165]	23.5 [10.7]

### OPTIONS (Check/specify appropriate options)

#### PREFIXES

- \_\_\_ Z Dura Coated Cast Iron\*
- \_\_\_ ZB D.C.C.I. w/ Polished Bronze Light-Duty Top (Deduct 3/4 [19] from 'Y' Dim.)
- \_\_\_ ZN D.C.C.I. w/ Polished Nickel Bronze Light-Duty Top (Deduct 3/4 [19] from 'Y' Dim.)
- \_\_\_ ZS D.C.C.I. w/ Polished Stainless Steel Extra-Heavy-Duty Top (Add 3/16 [5] to 'Y' Dim.)

#### SUFFIXES

- \_\_\_ -AR Acid Resisting Epoxy Coated Finish
- \_\_\_ -BP Bronze Plug
- \_\_\_ -CF Carpet Flange Cover (ZB and ZN only)
- \_\_\_ -CM Carpet Marker
- \_\_\_ -DC Duresist Cover
- \_\_\_ -DX Round ZB or ZN Top with Dex-o-tex Flange (2,3,4 [51,76,102] Sizes only)
- \_\_\_ -G Galvanized Cast Iron
- \_\_\_ -HD Extra-Heavy-Duty Veneer Top (Add 3/16 [5] to 'Y' Dim.) (ZB and ZN only)
- \_\_\_ -K Anchor Flange
- \_\_\_ -KC Anchor Flange w/ Clamping Collar
- \_\_\_ -PC Protective Cover
- \_\_\_ -SG Solid Gasketed Cover
- \_\_\_ -T Square Top
- \_\_\_ -TC Neo-Loc Test Cap Gasket (2,3,4 [51,76,102] NL Bottom Outlet Only)
- \_\_\_ -VP Vandal-Proof Screws

### PIPE SIZE

- 2,3,4,6 [51,76,102,152]
- 2,3,4,6,8 [51,76,102,152,203]
- 2,3,4,6,8 [51,76,102,152,203]

### (Specify size/type) OUTLET

- \_\_\_ IC Inside Caulk
- \_\_\_ NH No-Hub
- \_\_\_ NL Neo-Loc

### 'E' BODY HT. DIM.

- See Chart
- See Chart
- See Chart

\* Regularly furnished unless otherwise specified.

Zurn Industries, LLC | Specification Drainage Operation  
1801 Pittsburgh Avenue, Erie, PA U.S.A. 16502 · Ph. 855-663-9876, Fax 814-454-7929

In Canada | Zurn Industries Limited  
3544 Nashua Drive, Mississauga, Ontario L4V 1L2 · Ph. 905-405-8272, Fax 905-405-1292

[www.zurn.com](http://www.zurn.com)

Rev. A  
Date: 10/19/2017  
C.N. No. 138982  
Prod. | Dwg. No. Z1400-SM