



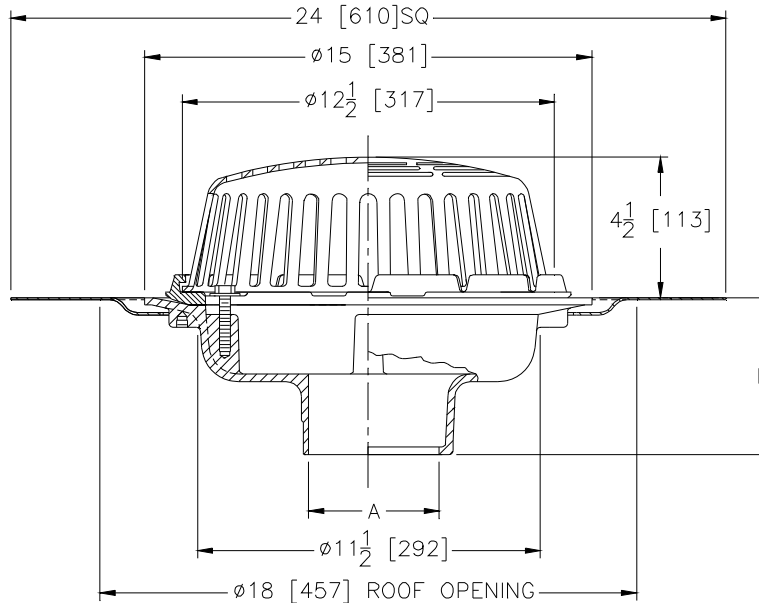
# Z100-R

## 15 [381] DIAMETER MAIN ROOF DRAIN W/ ROOF SUMP RECEIVER

SPECIFICATION SHEET

TAG \_\_\_\_\_

Dimensional Data (inches and [ mm ]) are Subject to Manufacturing Tolerances and Change Without Notice



A Pipe Size in [mm]	Approx Wt. lbs [kg]	Dome Open Area in <sup>2</sup> [cm <sup>2</sup> ]
2,3,4 [51,76,102]	26 [12]	103 [665]
6 [152]	27 [12]	
8 [203]	28 [13]	

### ENGINEERING SPECIFICATION: ZURN Z100-R

15" [381mm] Diameter roof drain. Dura-Coated cast iron body with combination membrane flashing clamp/gravel guard, low silhouette Poly-Dome and roof sump receiver.

### OPTIONS (Check/specify appropriate options)

#### PIPE SIZE

3,4,6 [76,102,152]  
2,3,4,6,8 [51,76,102,152,203]  
2,3,4,6,8 [51,76,102,152,203]  
2,3,4 [51,76,102]  
6 [152]

#### (Specify size/type) OUTLET

\_\_\_\_\_ IC Inside Caulk  
\_\_\_\_\_ IP Threaded  
\_\_\_\_\_ NH No-Hub  
\_\_\_\_\_ NL Neo-Loc  
\_\_\_\_\_ NL Neo-Loc

#### E BODY HT. DIM.

5-1/4 [133]  
3-3/4 [95]  
5-1/4 [133]  
4-5/8 [117]  
5-7/16 [138]

#### PREFIXES

\_\_\_\_\_ Z D.C.C.I. Body with Poly-Dome\*  
\_\_\_\_\_ ZA D.C.C.I. Body with Aluminum Dome

\_\_\_\_\_ ZC D.C.C.I. Body with Cast Iron Dome  
\_\_\_\_\_ ZRB D.C.C.I. Body with Plain Bronze Dome

#### SUFFIXES

\_\_\_\_\_ -AC Angular Underdeck Clamp  
\_\_\_\_\_ -AR Acid Resistant Epoxy Coated  
\_\_\_\_\_ -AW 3/4 [19] to 4 [102] Adjustable Water Level Regulator  
(Specify Height) (ZC Only)  
\_\_\_\_\_ -C Underdeck Clamp  
\_\_\_\_\_ -E Static Extension 1 [25] thru 4 [102] (Specify Ht.)  
\_\_\_\_\_ -EA Adjustable Extension Assembly  
2-1/8 [54] thru 3-1/2 [89]  
\_\_\_\_\_ -FG Flush Grate (Replaces Dome Strainer)  
\_\_\_\_\_ -G Galvanized Cast Iron  
\_\_\_\_\_ -HD 6-3/4 [171] High Aluminum Dome  
(148 sq. in. [955 cm<sup>2</sup>] open area)

\_\_\_\_\_ -SC Secondary Clamping Collar  
\_\_\_\_\_ -SS Stainless Mesh Screen Over Dome  
\_\_\_\_\_ -ST Dome with Solid Top (ZA & ZC Only)  
\_\_\_\_\_ -TC Neo-Loc Test Cap Gasket  
(2,3,4 [51,76,102] NL Bottom Outlet Only)  
\_\_\_\_\_ -VP Vandal Proof Secured Top  
\_\_\_\_\_ -W2 2 [51] Internal Water Dam  
\_\_\_\_\_ -W3 3 [76] Internal Water Dam  
\_\_\_\_\_ -W4 4 [102] Internal Water Dam  
\_\_\_\_\_ -84 Stainless Steel Perforated Gravel Guard  
\_\_\_\_\_ -85 Stainless Steel Perforated Extension  
\_\_\_\_\_ -89 2 [51] High External Water Dam  
\_\_\_\_\_ -90 90° Threaded Side Outlet Body

\* Regularly furnished unless otherwise specified.