



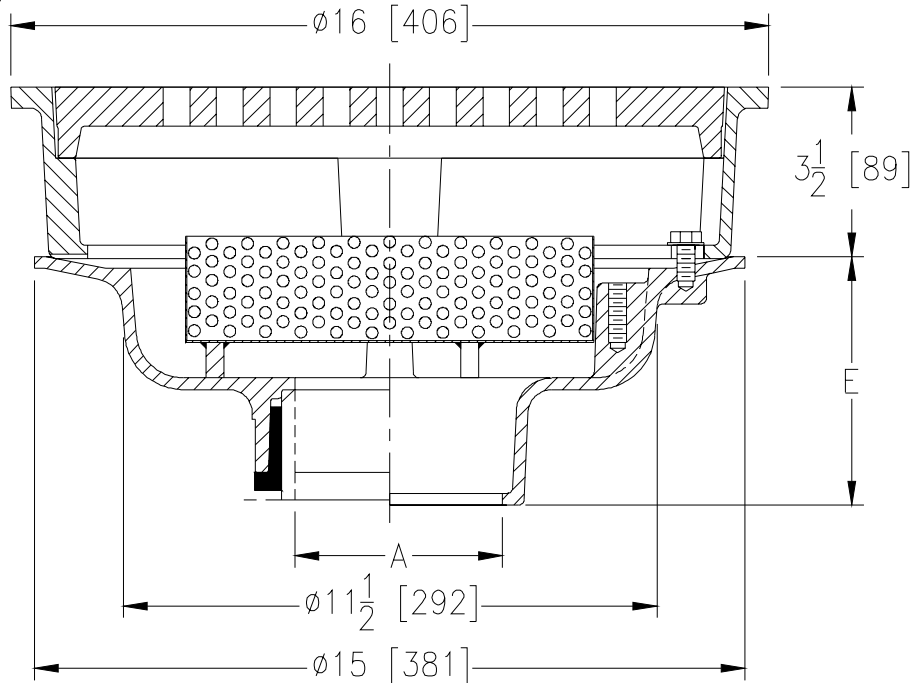
Z545-80

16 [406] DIAMETER HEAVY DUTY DRAIN W/ FABRICATED BUCKET

SPECIFICATION SHEET

TAG _____

Dimensional Data (inches and [mm]) are Subject to Manufacturing Tolerances and Change Without Notice



A Pipe Size	Approx. Wt. Lbs. [kg]	Grate Open Area Sq. In. [cm ²]
2-3-4 [51-76-102]	69 [31]	45 [290]
5-6 [127-152]	69 [31]	
8 [203]	71 [32]	
10 [254]	70 [32]	

ENGINEERING SPECIFICATION: ZURN Z545-80
 16 [406] Diameter top drain, Dura-Coated cast iron body with bottom outlet, seepage pan and combination membrane flashing clamp with fabricated bucket and frame for heavy-duty cast iron slotted grate.

OPTIONS (Check/specify appropriate options)

PIPE SIZE

- 2 thru 6-8-10 [51 thru 152-203-254]
- 2 thru 6-8-10 [51 thru 152-203-254]
- 2 thru 6-8-10 [51 thru 152-203-254]
- 2 thru 6-8-10 [51 thru 152-203-254]
- 2 thru 4 [51 thru 102]

(Specify size/type) **OUTLET**

- _____ IC Inside Caulk
- _____ IG Inside Caulk w/Sealtrol Gskt.
- _____ IP Threaded
- _____ NH No-Hub
- _____ NL Neo-Loc

'E' BODY HT. DIM.

- 5 1/4 [133]
- 5 1/4 [133]
- 3 3/4 [95]
- 5 1/4 [133]
- 4 5/8 [117]

PREFIXES

- _____ Z D.C.C.I. Body and Top*
- _____ ZB D.C.C.I. Body with Polished Bronze Top (Add 3/16 [5] to 3 1/2 [89] Dim.)
- _____ ZN D.C.C.I. Body with Polished Nickel Bronze Top (Add 3/16 [5] to 3 1/2 [89] Dim.)

SUFFIXES

- _____ -DG Duresist Grate
- _____ -G Galvanized Cast Iron
- _____ -TC Neo-Loc Test Cap Gasket (2 - 4 [51-102] NL Bottom Outlet Only)
- _____ -VP Vandal-Proof Secured Top
- _____ -90 90° Threaded Side Outlet (2 - 6 [51-152])

REV.	DATE: 4/21/05	C.N. NO. 93258
DWG. NO. P-15142 PRODUCT NO. Z545-80		

*REGULARLY FURNISHED UNLESS OTHERWISE SPECIFIED