



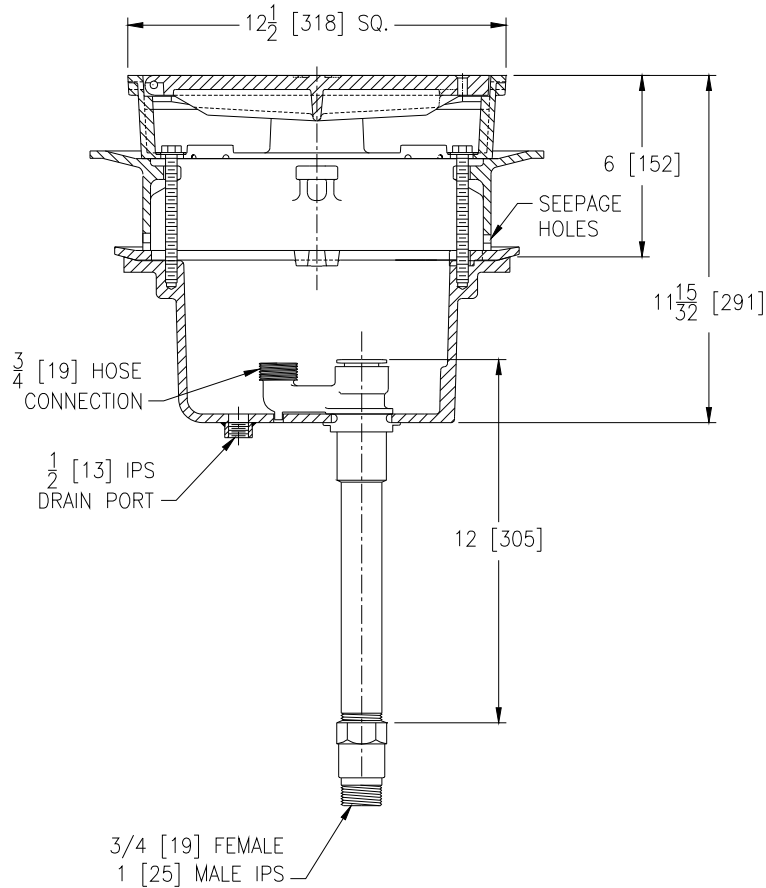
# Z1370-79

## GROUND HYDRANT W/ EXTENSION Encased, Hose Storage, Mild Climate

SPECIFICATION SHEET

TAG \_\_\_\_\_

Dimensional Data (inches and [ mm ]) are Subject to Manufacturing Tolerances and Change Without Notice



|                             |
|-----------------------------|
| Approx.<br>Wt.<br>lbs. [kg] |
| 85 [39]                     |

**ENGINEERING SPECIFICATION: ZURN Z1370-79**

Encased, mild climate ground hydrant for flush with grade or finished floor installation. Complete with galvanized steel casing, all bronze interior parts, non-turning operating rod with free-floating compression closure valve, replaceable bronze seat and seat washer, and combination 3/4 [19] female or 1 [25] male straight IP inlet. Cast iron box provides hose storage and is complete with scoriated hinged cover with operating key lock, cast iron extension with seepage holes, secondary clamp collar, and 1/2 [13] IP drain port in box.

**OPTIONS** (Check/specify appropriate options)

**SUFFIXES**

- \_\_\_\_\_ -BC Bronze Casing
- \_\_\_\_\_ -NB Polished Nickel Bronze Face
- \_\_\_\_\_ -PB Polished Bronze Face
- \_\_\_\_\_ -RB Plain Bronze Face
- \_\_\_\_\_ -RK Hydrant Parts Repair Kit
- \_\_\_\_\_ -WR "WATER" Cast on Cover

|                  |                |                      |
|------------------|----------------|----------------------|
| REV. A           | DATE: 05/05/08 | C.N. NO. 98451       |
| DWG. NO. P-15226 |                | PRODUCT NO. Z1370-79 |

\*WHEN ORDERING REPLACEMENT PARTS SPECIFY Y DIM.