



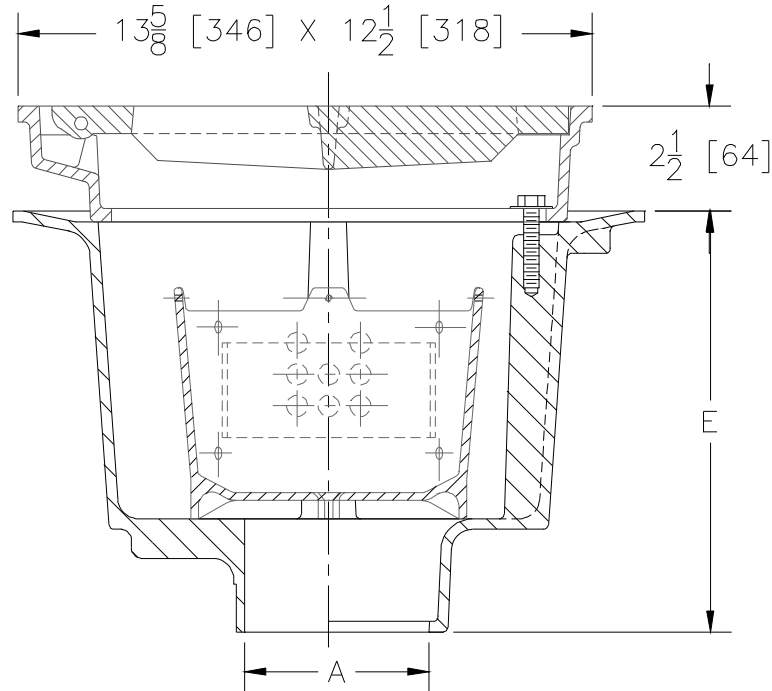
# Z-539-86

SPECIFICATION SHEET

## 13 5/8 [346] X 12 1/2 [318] HEAVY DUTY TOP DRAIN WITH DEEP SUMP

TAG \_\_\_\_\_

Dimensional Data (inches and [ mm ]) are Subject to Manufacturing Tolerances and Change Without Notice



A- Pipe Size In.	Approx. Wt. Lbs. [kg]	Grate Open Area Sq. In. [cm <sup>2</sup> ]
3-4-5-6 [75-100-125-150]	68 [31]	30 [194]
8 [200]		

**ENGINEERING SPECIFICATION:** ZURN Z-539-86 13 5/8 [346] X 12 1/2 [318] heavy duty top drain. Dura-Coated cast iron deep sump body with bottom outlet, seepage pan and combination membrane flashing clamp and frame for heavy duty slotted grate and free standing aluminum sediment bucket .

### OPTIONS (Check/specify appropriate options)

#### PIPE SIZE

3 thru 6 [75 thru 150]  
 3 thru 6 [75 thru 150]  
 3 thru 6, 8 [75 thru 150, 200]

#### (Specify size/type) OUTLET

\_\_\_ IC Inside Caulk  
 \_\_\_ IG Inside Caulk w/Sealtrol Gskt.  
 \_\_\_ NH No-Hub

#### 'E' BODY HT. DIM.

10 [254]  
 10 [254]  
 10 [254]

#### PREFIXES

- \_\_\_ Z- D.C.C.I. Body and Grate\*
- \_\_\_ ZB- D.C.C.I. Body with Polished Bronze Grate (Add 3/16 [5] to 2 1/2 [64] and 11/16 [17] to 13 5/8 [346] x 12 1/2 [318] Dimensions.)
- \_\_\_ ZN- D.C.C.I. Body with Polished Nickel Bronze Grate (Add 3/16 [5] to 2 1/2 [64] and 11/16 [17] to 13 5/8 [346] x 12 1/2 [318] Dimensions.)

#### SUFFIXES

- \_\_\_ -AR Acid Resisting Epoxy Coated Cast Iron
- \_\_\_ -DG Duresist Grate
- \_\_\_ -G Galvanized Cast Iron
- \_\_\_ -HL Hinged Locking Grate
- \_\_\_ -P Trap Primer Connection
- \_\_\_ -TS Top Secured With Slotted Screws
- \_\_\_ -VP Vandal Proof Secured Top

\*REGULARLY FURNISHED UNLESS OTHERWISE SPECIFIED

REV.	DATE: 6/21/99	C.N. NO. 82878
DWG. NO. P-14727 PRODUCT NO. Z-539-86		