



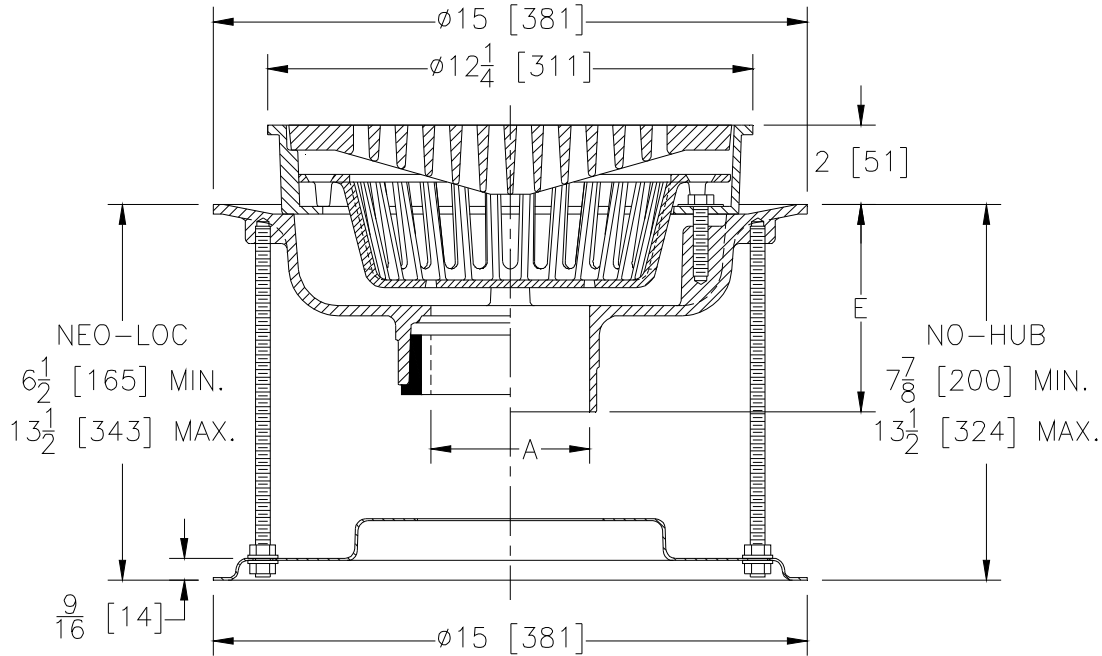
# Z541-SA

12-1/4 [311] DIAMETER HEAVY-DUTY DRAIN  
W/ STABILIZER ASSEMBLY

SPECIFICATION SHEET

TAG \_\_\_\_\_

Dimensional Data (inches and [ mm ]) are Subject to Manufacturing Tolerances and Change Without Notice



A- Pipe Size In.[mm]	Approx. Wt. Lbs. [kg]	Grate Open Area Sq. In. [cm <sup>2</sup> ]
2,3,4 [51,76,102]	56 [25]	30 [194]

### ENGINEERING SPECIFICATION: ZURN Z541-SA

12-1/4" [311mm] Diameter top drain. Dura-Coated cast iron body with bottom outlet, seepage pan and combination membrane flashing clamp, frame for anti-tilt heavy-duty slotted grate with suspended polypropylene sediment bucket and stabilizer assembly.

### OPTIONS (Check/specify appropriate options)

#### PIPE SIZE

2,3,4 [51,76,102]  
2,3,4 [51,76,102]

#### (Specify size/type) OUTLET

\_\_\_ NH No-Hub  
\_\_\_ NL Neo-Loc

#### 'E' BODY HT. DIM.

5-1/4 [133]  
4-5/8 [117]

#### PREFIXES

\_\_\_ Z D.C.C.I. Body and Top\*  
\_\_\_ ZB D.C.C.I. Body w/ Polished Bronze Top (Add 3/16 [5] to 2 [51] Dim. and 3/4 [19] to 12-1/4 [311] Dim.)  
\_\_\_ ZN D.C.C.I. Body w/ Polished Nickel Bronze Top (Add 3/16 [5] to 2 [51] Dim. and 3/4 [19] to 12-1/4 [311] Dim.)

#### SUFFIXES

___ -AR Acid Resisting Epoxy Coated Cast Iron	___ -TC Neo-Loc Test Cap Gasket (2,3,4 [51,76,102] NL Bottom Outlet Only)
___ -DG Duresist Grate	___ -TG Tractor Grate
___ -DX Dex-o-tex Flange	___ -TS Top Secured with Slotted Screws
___ -G Galvanized Cast Iron	___ -V Backwater Valve (See Z1099)
___ -H Hinged Grate	___ -VP Vandal-Proof Secured Top
___ -HP Heel-Proof Grate	___ -WS Wide Slotted Grate (50 sq. in. open [323 sq. cm.])
___ -LY (Less) Sediment Bucket	___ -YC Cast Iron Sediment Bucket
___ -P Trap Primer Connection	
___ -S Secondary Strainer	
___ -SS Stainless Mesh Liner for Bucket	

\* Regularly furnished unless otherwise specified.

Zurn Industries, LLC | Specification Drainage Operation  
1801 Pittsburgh Avenue, Erie, PA U.S.A. 16502 · Ph. 855-663-9876, Fax 814-454-7929  
In Canada | Zurn Industries Limited  
3544 Nashua Drive, Mississauga, Ontario L4V 1L2 · Ph. 905-405-8272, Fax 905-405-1292  
[www.zurn.com](http://www.zurn.com)

Rev. B  
Date: 10/09/2017  
C.N. No. 138522  
Prod. | Dwg. No. Z541-SA