



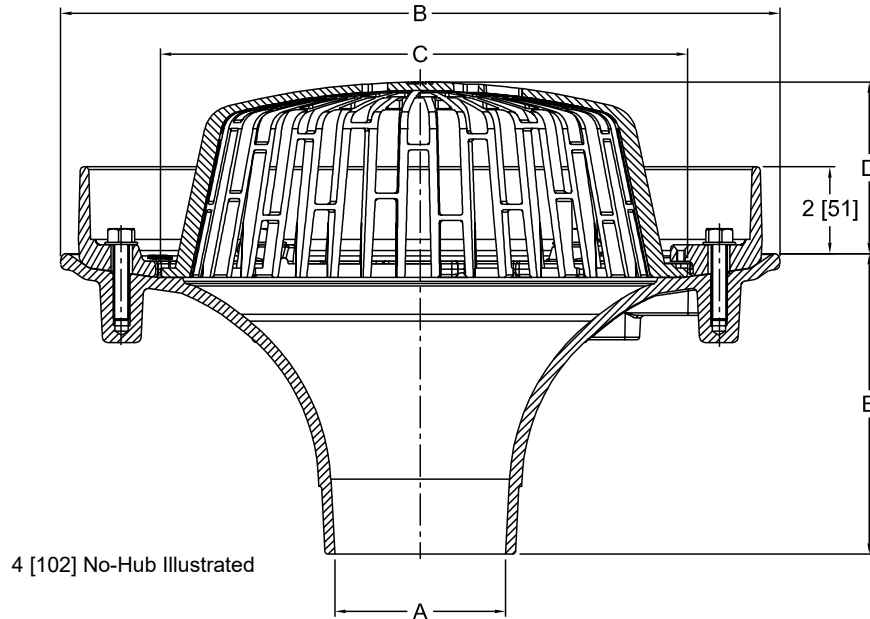
# Z100F-89

FLOFORCE™ HIGH PERFORMANCE OVERFLOW ROOF DRAIN  
WITH 2 [51] HIGH WATER DAM  
DESIGNED TO DRIVE EFFICIENT FLOW PERFORMANCE

SPECIFICATION SHEET  
TAG \_\_\_\_\_

Design and Dimensional Data (inches and [ mm ]) are Subject to Manufacturing Tolerances and Change Without Notice

PATENT PENDING



A Outlet Size In. [mm]	B Body Diameter In [mm]	C Dome Diameter In [mm]	D Height, Roof to Dome Top In [mm]	Weight lbs [kg]	Dome Open Area Sq. In. [cm <sup>2</sup> ]
2,3,4 [51,76,102]	16-9/16 [421]	12-5/16 [313]	4 [102]	40 [18]	121 [780]
6,8 [152, 203]	20-3/32 [510]	15-7/8 [403]	6 [152]	57 [26]	214 [1380]

### ENGINEERING SPECIFICATION: ZURN Z100F-89

FLOFORCE™ High efficient flow performing overflow roof drain engineered to evacuate water off of roof structure by incorporating a smooth funnel-shaped interior surface, providing a seamless transition to outlet connection and eliminating internal obstructions. Complete with Dura-Coated cast iron body with 2[51] high combination membrane flashing clamp/gravel guard and low silhouette Poly-Dome. Flashing clamp / gravel guard provided to prevent water and debris from entering the drain up to 2 [51] head level. Poly-dome designed to maximize effective open area and promote efficient flow. (Refer to Z100F specification sheet for flow curves.)

### OPTIONS (Check/specify appropriate options)

#### PIPE SIZE

- 2, 3, 4 [51, 76, 102]
- 6, 8 [152, 203]
- 2, 3, 4 [51, 76, 102]
- 6 [152]
- 2, 3, 4 [51, 76, 102]
- 6, 8 [152, 203]
- 3, 4 [76, 102]
- 6 [152]

#### (Specify size/type) OUTLET

- \_\_\_\_\_ NH No-Hub
- \_\_\_\_\_ NH No-Hub
- \_\_\_\_\_ NL Neo-Loc
- \_\_\_\_\_ NL Neo-Loc
- \_\_\_\_\_ IP Threaded
- \_\_\_\_\_ IP Threaded
- \_\_\_\_\_ IC Inside Caulk
- \_\_\_\_\_ IC Inside Caulk

#### E BODY HT. DIM.

- 6-15/16 [176]
- 7-7/16 [189]
- 7-3/8 [187]
- 8-1/32 [204]
- 5-15/16, 6-3/16, 6-5/16 [151, 157, 160]
- 6-11/16, 6-3/4 [170, 171]
- 5-13/16 [148]
- 6-1/16 [154]

#### PREFIXES

- \_\_\_\_\_ Z D.C.C.I. Body with Poly-Dome\*    \_\_\_\_\_ ZA D.C.C.I. Body with Aluminum Dome    \_\_\_\_\_ ZC D.C.C.I. Body with Cast Iron Dome

#### SUFFIXES

- \_\_\_\_\_ -AR Acid Resistant Epoxy Coated
- \_\_\_\_\_ -C Underdeck Clamp
- \_\_\_\_\_ -DP Top-Set® Deck Plate (Replaces both the -C and -R)
- \_\_\_\_\_ -DR Top-Set® Drain Riser
- \_\_\_\_\_ -E Static Extension 1 [25] thru 4 [102] (Specify Ht.)
- \_\_\_\_\_ -EA Adjustable Extension Assembly  
2-1/8 [54] thru 3-1/2 [89]
- \_\_\_\_\_ -G Galvanized Cast Iron
- \_\_\_\_\_ -R Roof Sump Receiver
- \_\_\_\_\_ -SC Secondary Clamp Collar
- \_\_\_\_\_ -TC Neo-Loc Test Cap Gasket  
(2, 3, 4 [51, 76, 102] NL Bottom Outlet Only)
- \_\_\_\_\_ -VP Vandal-Proof Secured Top
- \_\_\_\_\_ -3 3[76] High Overflow Dam
- \_\_\_\_\_ -4 4[102] High Overflow Dam
- \_\_\_\_\_ -85 Stainless Steel Perforated Extension

\* Regularly furnished unless otherwise specified

**⚠ WARNING:** Cancer and Reproductive Harm - [www.P65Warnings.ca.gov](http://www.P65Warnings.ca.gov)

**⚠ ADVERTENCIA:** Cáncer y daño reproductivo - [www.P65Warnings.ca.gov](http://www.P65Warnings.ca.gov)

**⚠ AVERTISSEMENT:** Cancer et effets néfastes sur la reproduction - [www.P65Warnings.ca.gov](http://www.P65Warnings.ca.gov)

Zurn Industries, LLC | Specification Drainage Operation  
1801 Pittsburgh Avenue, Erie, PA 16502, Ph. 855.663.9876

In Canada | Zurn Industries Limited  
7900 Goreway Drive, Unit 10, Brampton, Ontario L6T 5W6, Ph. 877.892.5216

[www.zurn.com](http://www.zurn.com)

Rev. C  
Date: 05/06/2022  
C.N. No. 144476  
Prod. | Dwg. No. Z100F-89 FLOFORCE™