



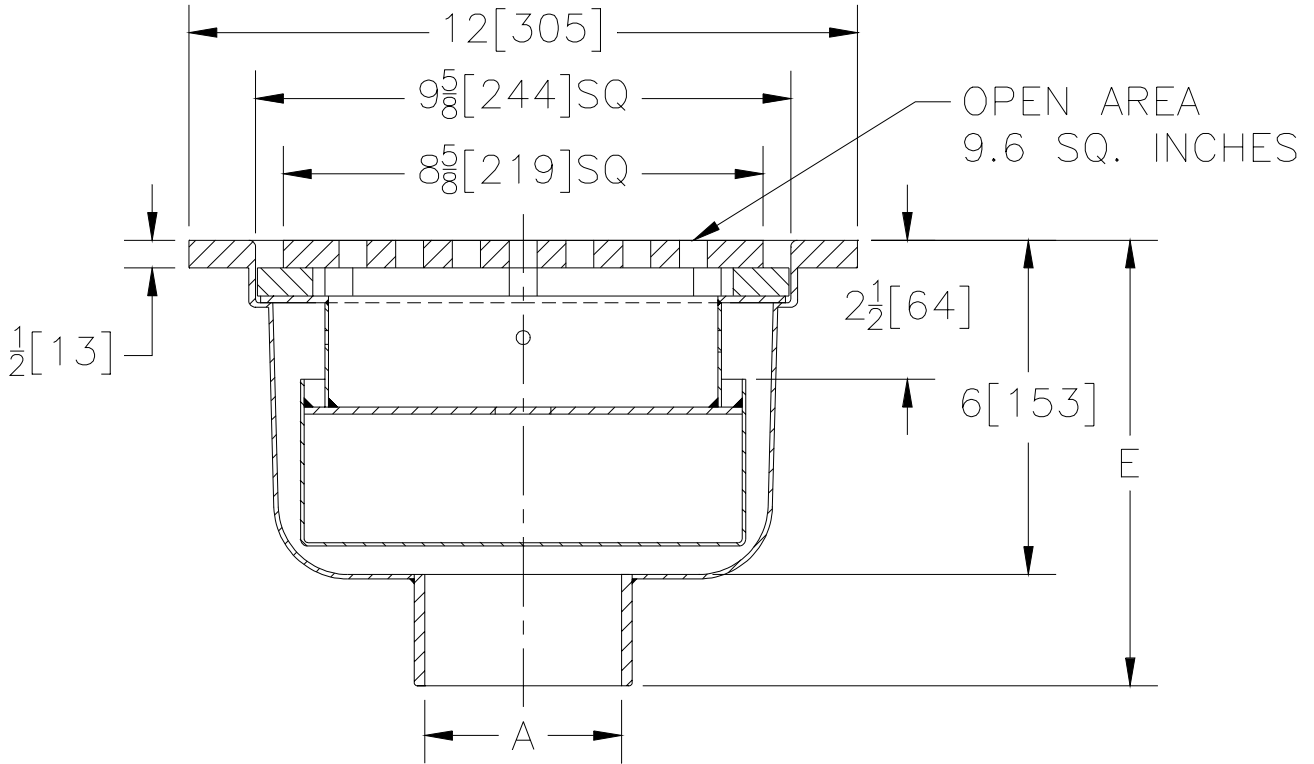
Z-1753-79

SPECIFICATION SHEET

12" X 12" X 6" [305 X 305 X 153]
 DEEP SANI-FLOR RECEPTOR WITH PERIMETER
 DRAINAGE, SANITARY RIM AND BELL TRAP BUCKET

TAG _____

Dimensional Data (inches and [mm]) are Subject to Manufacturing Tolerances and Change Without Notice



A-Pipe Size Inches	Approx Wt. Lbs [kg]
2-3-4 [50-75-100]	15 [7]

ENGINEERING SPECIFICATIONS: ZURN Z-1753-79 12 x 12 x 6 [305 x 305 x 153] deep, All Type 304 (CF8) Stainless Steel Sani-Flor receptor with polished finish, non-tilt, 1/2 [13] thick perforated grate with perimeter drainage, sanitary rim, and combination bell trap/sediment bucket. Wheel load rating 10,000 lbs. Drain body must be supported by concrete pour.

OPTIONS (Check/specify appropriate options)

PIPE SIZE	(Specify size/type) OUTLET	"E" BODY HT. DIM.
2, 3, 4 [50, 75, 100]	_____ IC Inside Caulk	8 9/16 [218]
2 [50]	_____ IP Threaded	7 5/16 [186]
3 [75]	_____ IP Threaded	7 9/16 [192]
4 [100]	_____ IP Threaded	8 1/16 [205]
2, 3, 4, 6 & 8 [50, 75, 100, 150 & 200]	_____ NH No-Hub	8 1/16 [205]
2, 3, 4 [50, 75, 100]	_____ NL Neo-Loc	7 13/16 [198]

PREFIXES

_____ **Z** Type 304 (CF8) Stainless Steel with Polished Finish*

SUFFIXES

- _____ **-K** Anchor Flange
- _____ **-KC** Anchor Flange with Seepage Holes and Clamp Collar
- _____ **-LBT** (Less) Bell Tap
- _____ **-LY** (Less) Sediment Bucket
- _____ **-P** 1/2 [13] Trap Primer Connection
- _____ **-1** (Less) Cover

REV.	DATE: 4/30/02	C.N. NO. 88476
DWG. NO. P-14892		PRODUCT NO. Z-1753-79

*REGULARLY FURNISHED UNLESS OTHERWISE SPECIFIED