



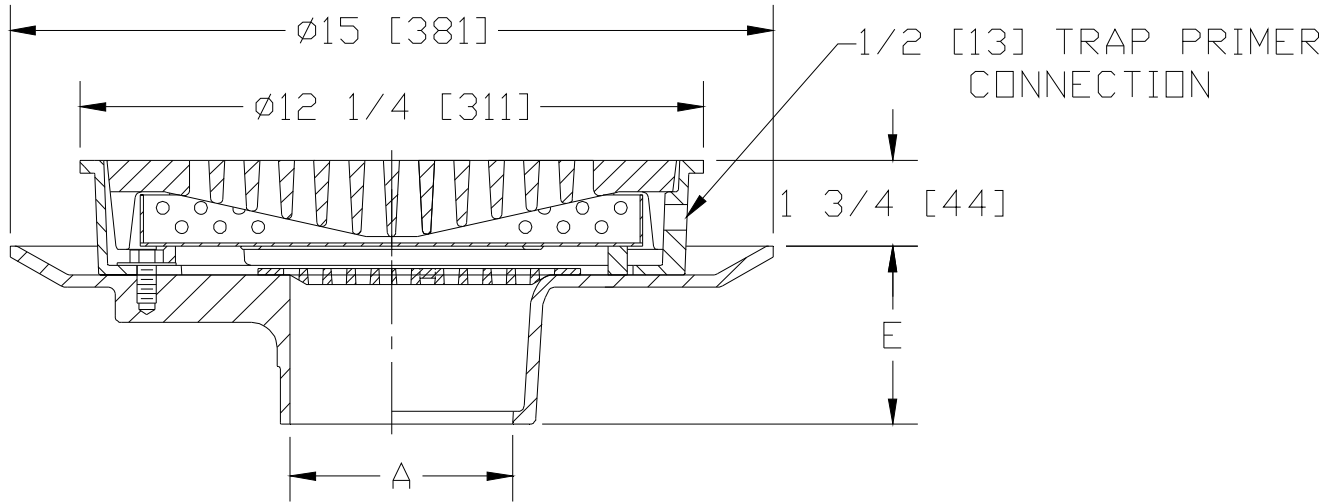
# Z509-83

12 [305] HEAVY DUTY DRAIN WITH SEDIMENT BUCKET, TRAP PRIMER CONNECTION, SECONDARY STRAINER, ALL ACID RESISTING EPOXY COATING

SPECIFICATION SHEET

TAG \_\_\_\_\_

Dimensional Data (inches and [ mm ]) are Subject to Manufacturing Tolerances and Change Without Notice



A- Pipe Size In.	Approx. Wt. Lbs. [kg]	Grate Open Area Sq. In. [cm <sup>2</sup> ]
3-4-6 [75-100-150]	38 [17]	30 [194]

**ENGINEERING SPECIFICATION: ZURN Z509-83**

12 [305] Diameter top drain. All acid resisting epoxy coated cast iron body with bottom outlet, seepage pan, sediment bucket, secondary strainer, and combination membrane flashing clamp and frame with trap primer connection for heavy duty tractor grate.

**OPTIONS** (Check/specify appropriate options)

**PIPE SIZE**

- 3, 4, 6 [75, 100, 150]
- 3, 4, 6 [75, 100, 150]
- 3, 4, 6 [75, 100, 150]
- 3, 4, 6 [75, 100, 150]
- 3, 4 [75, 100]

(Specify size/type) **OUTLET**

- \_\_\_ IC Inside Caulk
- \_\_\_ IG Inside Caulk w/Sealtrol Gskt.
- \_\_\_ IP Threaded
- \_\_\_ NH No-Hub
- \_\_\_ NL Neo-Loc

**'E' BODY HT. DIM.**

- 3 1/2 [89]
- 3 1/2 [89]
- 3 1/2 [89]
- 3 1/2 [89]
- 2 5/8 [67]

**PREFIXES**

- \_\_\_ Z- D.C.C.I. Body and Grate\*
- \_\_\_ ZB- D.C.C.I. Body with Polished Bronze Grate (Add 3/16 [5] to 1 3/4 [44] Dim.)
- \_\_\_ ZN- D.C.C.I. Body with Polished Nickel Bronze Grate (Add 3/16 [5] to 1 3/4 [44] Dim.)

**SUFFIXES**

- \_\_\_ -DG Duresist Grate
- \_\_\_ -PH Packing House Grate With 3/8 [9] dia. Holes (Z only)
- \_\_\_ -TS Top Secured With Slotted Screws
- \_\_\_ -V Backwater Valve (See Z-1099)
- \_\_\_ -VP Vandal Proof Secured Top

\*REGULARLY FURNISHED UNLESS OTHERWISE SPECIFIED

REV.	DATE: 05/08/12	C.N. NO. 124347
DWG. NO. 309682		PRODUCT NO. Z509-83