

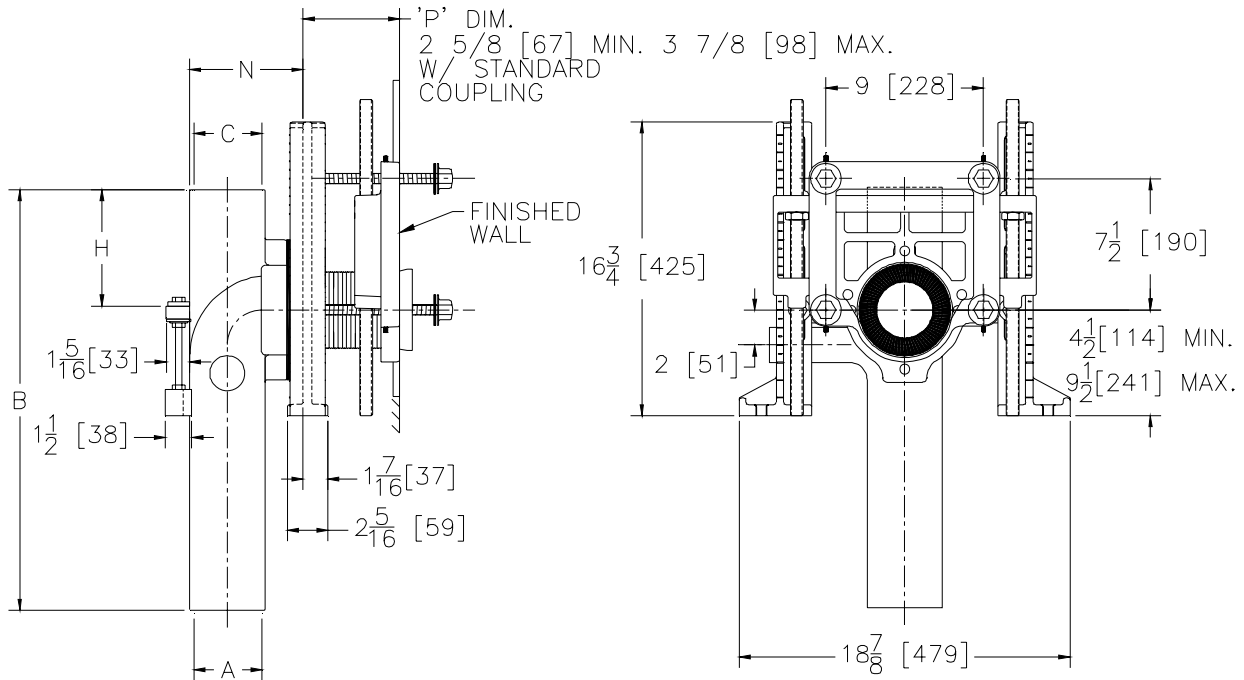


Z1208-79

VERTICAL SIPHON JET 500 LBS. [227 KG.] WATER CLOSET SUPPORT SYSTEM W/ HEAVY DUTY REAR ANCHOR BAR AND FINISHING FRAME

TAG _____

Dimensional Data (inches and [mm]) are Subject to Manufacturing Tolerances and Change Without Notice



Note:

1. Feet bolted to floor using min. 1/2 [13] dia. bolts and back slots on carrier feet.
2. Rear anchor bar and stud support/ finishing frame required for secure installation.

Product No.	Dimensions In Inches					Approx. Wt. Lbs. [kg]
	A	B	C	H	N	
Z1208-79-H42	4 [102]	14 3/4 [375]	2 [51]	4 3/8 [111]	6 1/4 [159]	60 [27]
Z1208-79-H44		15 1/4 [387]		4 7/8 [124]	7 5/16 [186]	
Z1208-79-N32	3 [76]	18 [457]	2 [51]	6 1/4 [159]	4 3/4 [121]	
Z1208-79-N42	4 [102]	24 [610]		6 5/8 [168]	5 1/2 [102]	
Z1208-79-N44			4 [102]	6 1/2 [165]	6 1/2 [165]	

ENGINEERING SPECIFICATION:

ZURN Z1208-79, Vertical Siphon Jet 500 [227] lbs. Water Closet "Rigid System" with () size No-Hub or Hub and Spigot connections. Complete with Dura-Coated cast iron main fitting, separable face-plate rigidly mounted on fitting, universal floor mounted foot supports, corrosion resistant adjustable ABS coupling with integral test cap, fixture bolts, trim, stud protectors, heavy duty rear anchor bar, bonded "Neo-Seal" gasket, and stud support/ finishing frame.

PRODUCT/DEFINITION

_____	Z1208-79-H42	4 [102]	Spigot,	2 [51]	Hub Vent
_____	Z1208-79-H44	4 [102]	Spigot,	4 [102]	Hub Vent
_____	Z1208-79-N32	3 [76]	No-Hub,	2 [51]	No-Hub Vent
_____	Z1208-79-N42	4 [102]	No-Hub,	2 [51]	No-Hub Vent
_____	Z1208-79-N44	4 [102]	No-Hub,	4 [102]	No-Hub Vent

PREFIXES

_____	Z	D.C.C.I. System with Zurn "ZZ" Adjustable Coupling *
_____	ZQ	D.C.C.I. System with N.P.T. Inlet, Non-Adjustable Coupling

SUFFIXES

_____	-CC	Corrosion Resistant Cast Iron Coupling (6 [152] To 12 [305])
_____	-G	Galvanized Cast Iron
_____	-JJ	Two 2 [51] Auxiliary Inlets
_____	-JL	2 [51] Left Hand Auxiliary Inlet
_____	-JR	2 [51] Right Hand Auxiliary Inlet
_____	-VP	Vandal Proof Trim
_____	-29	Mechanical Test Cap Assembly
_____	-50	Flush Valve Supply Support for W.C.
_____	-61	"ZZ" Coupling Wrench

REV.	DATE: 6/07/10	C.N. NO. 111236
DWG. NO. 300816 PRODUCT NO. Z1208-79		

*REGULARLY FURNISHED UNLESS OTHERWISE SPECIFIED