



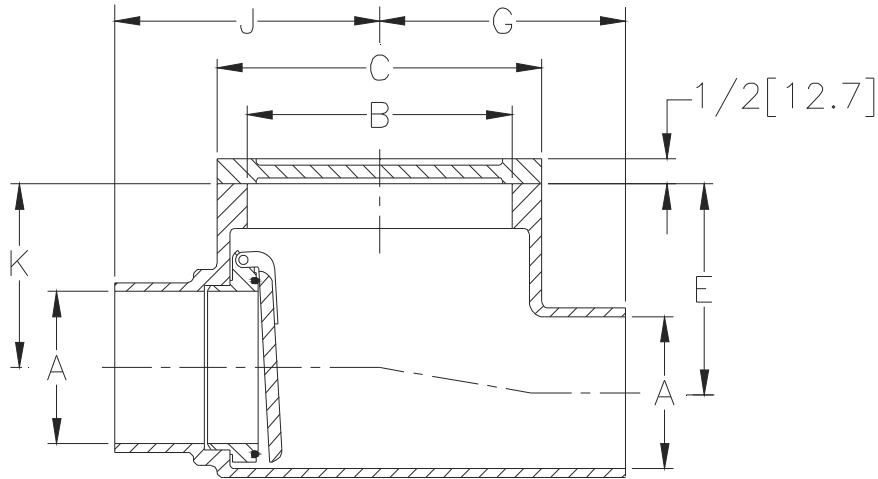
Z1090-84

ACID RESISTANT EPOXY COATED BACKWATER VALVE, FLAPPER TYPE

SPECIFICATION SHEET

TAG _____

Dimensional Data (inches and [mm]) are Subject to Manufacturing Tolerances and Change Without Notice



*Inlet sizes up to 4" [102mm] utilize a flapper that hangs normally closed. Sizes greater than 4" [102mm] utilize a bronze flapper that hangs 1/4" [6mm] normally open.

Dimensions In Inches [mm]							Approx. Wt. Lbs. Kg.
A Pipe Size	B	C	E	G	J	K	
2 [51]	5-1/4[133]	6-1/2 [165]	4-5/8 [117]	4-7/8 [124]	5-1/4[133]	3-5/8 [92]	16 [7]
3 [76]			4-1/8 [105]				17 [8]
4 [102]	6-3/8 [162]	7-1/2 [190]	4-3/4 [121]	6 [152]	6 [152]	4-1/4 [108]	22 [10]
6 [162]	8-1/4 [210]	9-1/2 [241]	7-1/2 [191]	6-5/8 [168]	7-7/16 [189]	6 [152]	34 [15]

ENGINEERING SPECIFICATION: ZURNZ1090-84

Backwater Valve, A.R.E. coated cast iron body with No-Hub inlet and outlet, gasketed bolted cover, automatic PVC (3 "[76mm] and 4" [102mm] sizes only) flapper type backwater valve with O-ring.

CONNECTIONS (Check/specify appropriate options)

PIPE SIZE _____ (Specify size) **CONNECTION** _____

2,3,4,6 [51,76,102, 152] _____ NH No-Hub

PREFIXES

_____ Z D.C.C.I. Body*

SUFFIXES

_____ -BP Bronze Threaded Plug Cover
 _____ -BV Bronze Flapper Valve (3 & 4 [76 & 102] Size)

* Regularly furnished unless otherwise specified.