



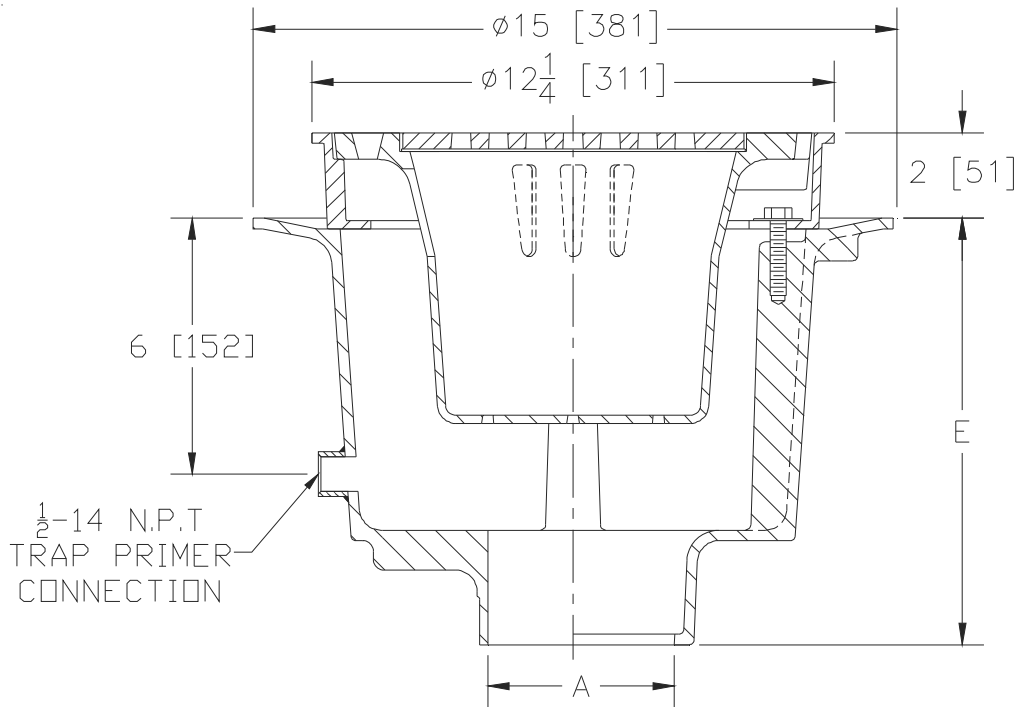
# Z538-83

## 12 [305] MEDIUM-DUTY DRAIN WITH DEEP SUMP, SUR-SET BUCKET, AND TRAP PRIMER CONNECTION

SPECIFICATION SHEET

TAG \_\_\_\_\_

Dimensional Data (inches and [ mm ]) are Subject to Manufacturing Tolerances and Change Without Notice



| A- Pipe Size In. [mm] | Approx. Wt. Lbs. [kg] | Grate Open Area Sq. In. [cm <sup>2</sup> ] |
|-----------------------|-----------------------|--|
| 3,4,6 [76,102,152]    | 63 [29]               | 16 [103]                                   |
| 8 [203]               | 65 [30]               |  |

### ENGINEERING SPECIFICATION: ZURN Z538-83

12" [305mm] Diameter top drain, Dura-Coated cast iron deep sump body with bottom outlet and 1/2" [51mm] trap primer connection, seepage pan and combination membrane flashing clamp and frame with Sur-Set bucket and medium-duty slotted grate.

### OPTIONS (Check/specify appropriate options)

#### PIPE SIZE

- 3,4,6 [76,102,152]
- 3,4,6 [76,102,152]
- 3,4,6,8 [76,102,152,203]
- 3,4 [76,102]

#### (Specify size/type) OUTLET

- \_\_\_ IC Inside Caulk
- \_\_\_ IG Inside Gasket
- \_\_\_ NH No-Hub
- \_\_\_ NL Neo-Loc

#### 'E' BODY HT. DIM.

- 10 [254]
- 10 [254]
- 10 [254]
- 9-5/16 [237]

#### PREFIXES

- \_\_\_ Z D.C.C.I. Body and Top\*
- \_\_\_ ZB D.C.C.I. Body with Polished Bronze Top (Add 3/16 [5] to 2 [51] Dim. and 3/4 [20] to 12-1/4 [311] Dim.)
- \_\_\_ ZN D.C.C.I. Body with Polished Nickel Bronze Top (Add 3/16 [5] to 2 [51] Dim. and 3/4 [20] to 12-1/4 [311] Dim.)

#### SUFFIXES

- \_\_\_ -G Galvanized Cast Iron
- \_\_\_ -H Hinged Grate
- \_\_\_ -SS Stainless Steel Mesh Liner for Bucket
- \_\_\_ -TC Neo-Loc Test Cap Gasket (3-4 [76-102] NL Outlets only)
- \_\_\_ -TS Top Secured with Slotted Screws
- \_\_\_ -VP Vandal-Proof Secured Top

\* Regularly furnished unless otherwise specified.