



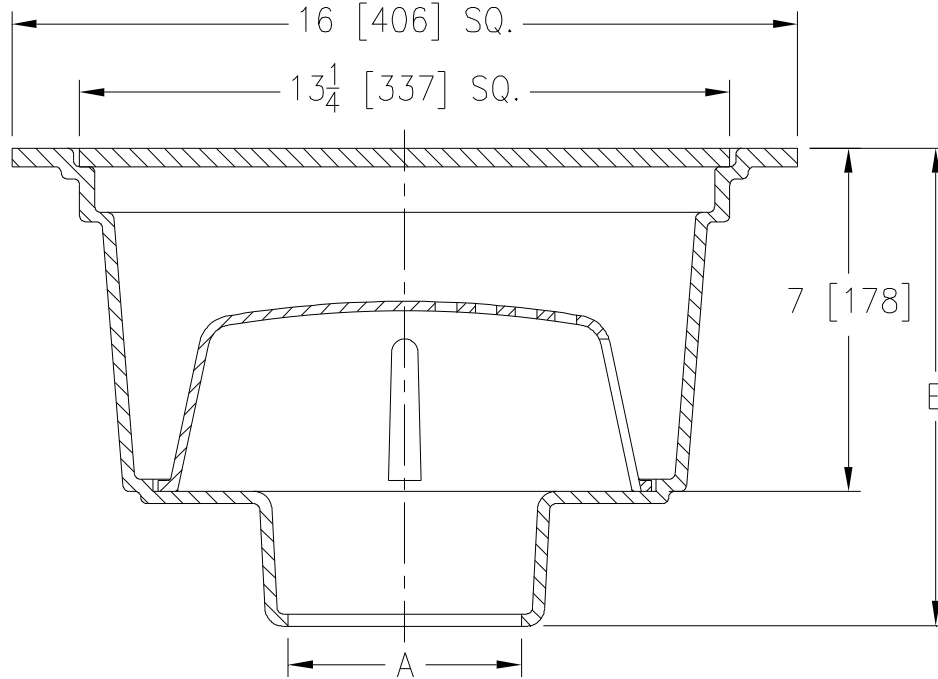
Z1920-15

16 X 16 [406 X 406] A.R.C. SANI-FLOR RECEPTOR 7 [178]
SUMP DEPTH W/ SOLID LOOSE SET COVER

SPECIFICATION SHEET

TAG _____

Dimensional Data (inches and [mm]) are Subject to Manufacturing Tolerances and Change Without Notice



A- Pipe Size In. [mm]	Approx Wt. Lbs. [kg]
2,3,4,6,8 [51,76,102,152,203]	77 [35]

ENGINEERING SPECIFICATION: ZURN Z1920-15
Sani-Flor Receptor 16" x 16" x 7" [406mm x 406mm x 178mm] deep cast iron body and solid loose set cover, with white acid resisting epoxy coated interior and top, complete with aluminum anti-splash interior bottom dome strainer.

OPTIONS (Check/specify appropriate options)

PIPE SIZE	(Specify size/type)	OUTLET	'E' BODY HT. DIMENSION	
			Z	ZN
2, 3, 4, 6 [51, 76, 102, 152]	_____	IC Inside Caulk	9-3/4 [248]	10 [254]
8 [203]	_____	IC Inside Caulk	10-1/4 [260]	10-1/2 [267]
2, 3, 4 [51, 76, 102]	_____	NL Neo-Loc	9 [229]	9-3/16 [233]

PREFIXES

- ___ Z Cast Iron Body with White A.R.C. Interior*
- ___ ZN Cast Iron Body with White A.R.C. Interior, 16-1/2 [419] Square Nickel Bronze Frame and Full Grate

SUFFIXES

- ___ -K Anchor Flange with Seepage Holes
- ___ -KC Anchor Flange with Seepage Holes and Clamp Collar
- ___ -LD (Less) Internal Bottom Dome Strainer
- ___ -P 1/2 [13] Trap Primer Connection
- ___ -TC Neo-Loc Test Cap Gasket (2, 3, 4 [51, 76, 102] NL Bottom Outlet Only)
- ___ -23 Aluminum Bucket
- ___ -25 White A.R.C. Bucket
- ___ -31 Stainless Steel Mesh Liner for Bucket
- ___ -33 White A.R.C. Anti-Splash Bottom Dome Strainer

* Regularly furnished unless otherwise specified.