



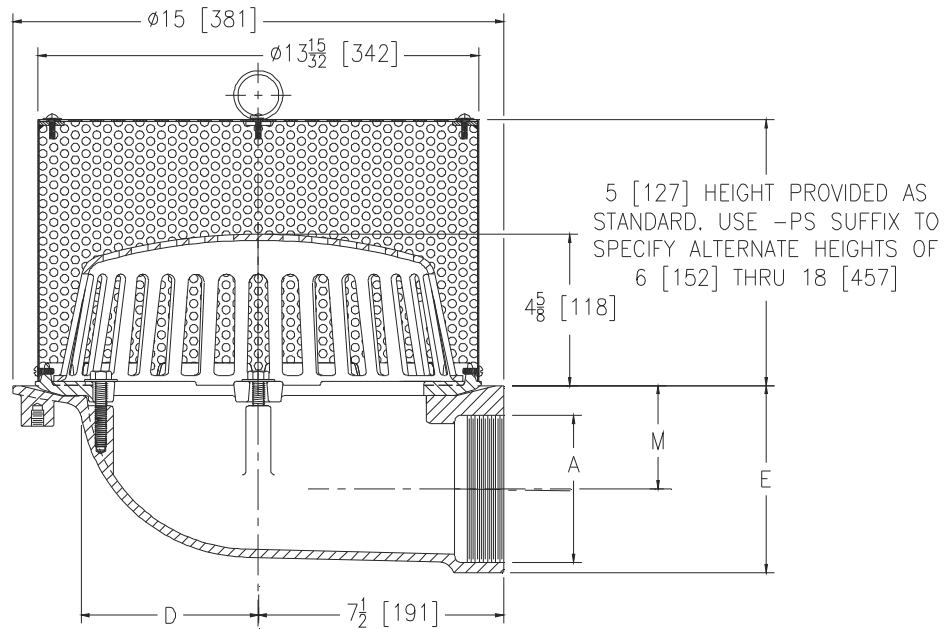
Z110-87

15 [381] DIAMETER MAIN GREEN ROOF DRAIN WITH PERFORATED SCREEN ASSEMBLY, & REMOVABLE COVER W/ LIFT HANDLE & SIDE OUTLET BODY

SPECIFICATION SHEET

TAG _____

Dimensional Data (inches and [mm]) are Subject to Manufacturing Tolerances and Change Without Notice



5 [127] HEIGHT PROVIDED AS STANDARD. USE -PS SUFFIX TO SPECIFY ALTERNATE HEIGHTS OF 6 [152] THRU 18 [457]

| Dimensions in inches [mm] | | | Approx Wt. lbs [kg] | Dome Open Area in ² [cm ²] |
|---------------------------|-------------|--------------|---------------------|---|
| A Pipe Size | D | M | | |
| 2 [51] | 5-1/2 [140] | 4-1/4 [108] | 42 [19] | 103 [665] |
| 3 [76] | | 3-11/16 [94] | 40 [18] | |
| 4 [102] | | 3-3/16 [81] | 41 [19] | |
| 6 [152] | 5-7/8 [149] | 4-1/4 [108] | 50 [23] | |

ENGINEERING SPECIFICATION: ZURN Z110-87

15" [381mm] diameter green roof drain. Dura-Coated cast iron body with combination membrane flashing clamp/gravel guard and low silhouette Poly-Dome. Complete with secured type 304 (CF8) stainless steel perforated screen assembly with secured removable access cover with lift handle.

OPTIONS (Check/specify appropriate options)

PIPE SIZE

2, 3, 4 [51, 76, 102]
6 [152]

(Specify size/type) **OUTLET**

____ IP Threaded
____ IP Threaded

EBODYHT.DIM.

5-3/4 [146]
7-7/8 [200]

PREFIXES

____ Z D.C.C.I. Body with Poly-Dome*
____ ZA D.C.C.I. Body with Aluminum Dome
____ ZC D.C.C.I. Body with Cast Iron Dome

SUFFIXES

| | |
|---|--|
| ____ -AC Angular Underdeck Clamp | ____ -PS Perforated Screen 6 [152] thru 18 [457] (Specify Height Required) |
| ____ -AR Acid Resistant Epoxy Coated | ____ -R Roof Sump Receiver |
| ____ -C Underdeck Clamp | ____ -ST Dome with Solid Top (ZA, ZC Only) |
| ____ -DP Top-Set® Deck Plate (Replaces both the -C and -R) | ____ -VP Vandal-Proof Secured Screen Cover |
| ____ -E Static Extension 1 [25] thru 4 [102] (Specify Ht.) | ____ -W2 2 [51] Internal Water Dam |
| ____ -EA Adjustable Extension Assembly 2-1/8 [54] thru 3-1/2 [89] | ____ -W3 3 [76] Internal Water Dam |
| ____ -EB Top-Set® Adjustable Extension Assembly | ____ -W4 4 [102] Internal Water Dam |
| ____ -G Galvanized Cast Iron | ____ -85 Stainless Steel Perforated Extension |

* Regularly furnished unless otherwise specified.