

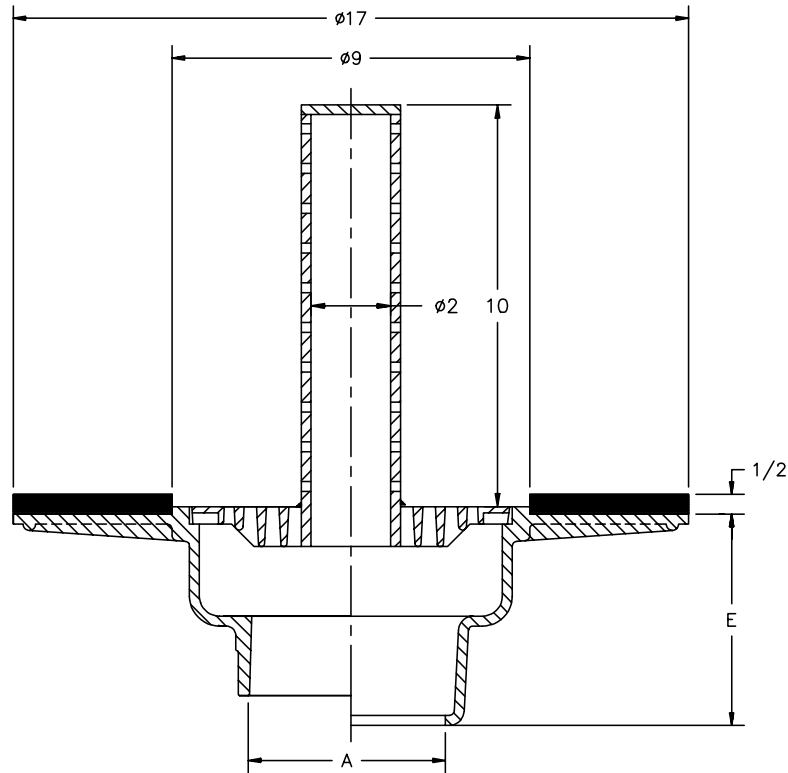


# Z-530-79

## DECK DRAIN WIDE FLANGE

TAG \_\_\_\_\_

Dimensional Data (inches) are Subject to Manufacturing Tolerances and Change Without Notice



A- Pipe Size In.	Approx. Wt. Lbs.	Grate Open Area Sq. In.
2-3-4	49	17

**ENGINEERING SPECIFICATION:** ZURN Z-530-79 9" Top wide flange deck drain for latex decks, Dura-Coated cast iron body with latex troweling flange, flat grate, compressed gasket and perforated standpipe.

**OPTIONS** (Check/specify appropriate options)

PIPE SIZE	(Specify size/type) OUTLET	'E' BODY HT. DIM.
2, 3, 4	___ IC Inside Caulk	5 1/2
2, 3, 4	___ IG Inside Caulk w/Sealtrol Gskt.	5 1/2
2, 3, 4	___ IP Threaded	4
2, 3, 4	___ NL Neo-Loc	4 3/4

**PREFIXES**

- \_\_\_ Z- D.C.C.I. Body and Grate\*
- \_\_\_ ZB- D.C.C.I. Body with Polished Bronze Grate
- \_\_\_ ZN- D.C.C.I. Body with Polished Nickel Bronze Grate

**SUFFIXES**

- \_\_\_ -C Underdeck Clamp
- \_\_\_ -D Dome Grate
- \_\_\_ -DG Duresist Grate
- \_\_\_ -G Galvanized Cast Iron
- \_\_\_ -L (Less) Bucket
- \_\_\_ -SC Solid Cover
- \_\_\_ -VP Vandal Proof Secured Top
- \_\_\_ -XJ Expansion Joint (See Z-190)

REV.	DATE: 4/18/95	C.N. NO. 71595
DWG. NO. P-14162 PRODUCT NO. Z-530-79		

\*REGULARLY FURNISHED UNLESS OTHERWISE SPECIFIED