



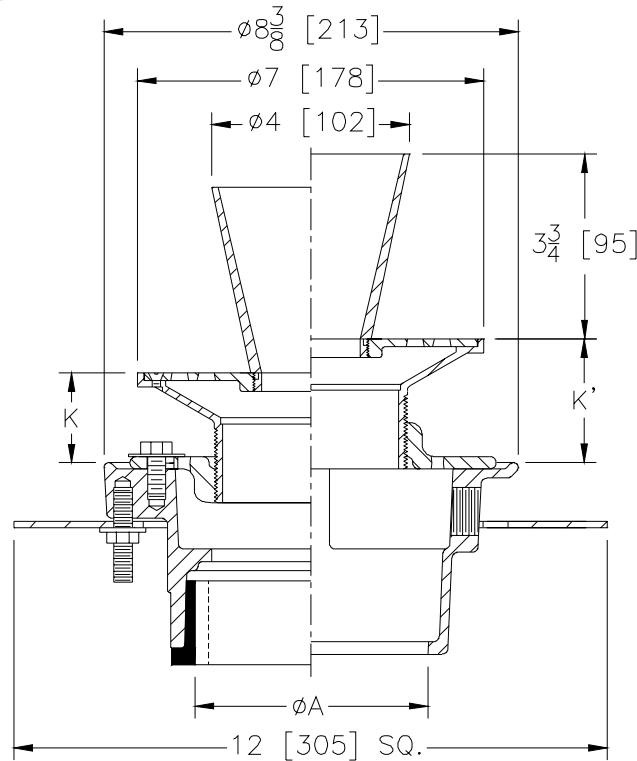
# Z415E-75

## BODY ASSEMBLY W/ "TYPE E" STRAINER, TRAP PRIMER & UNDERDECK CLAMP

SPECIFICATION SHEET

TAG \_\_\_\_\_

Dimensional Data (inches and [ mm ]) are Subject to Manufacturing Tolerances and Change Without Notice



Dimensions In Inches					Approx. Wt. Lbs. [kg.]	Strainer Open Area Sq. In. [cm <sup>2</sup> ]
A - Pipe Size	K		K'			
	Min.	Max.	Min.	Max.		
2-3-4 [51-76-102]	1 [25]	2 1/4 [57]	2 [51]	3 1/8 [79]	19 [9]	5 [32]

**ENGINEERING SPECIFICATION:** ZURN ZN415E-75 Floor and shower drain, Dura-Coated cast iron body with trap primer connection and bottom outlet, combination invertible membrane clamp, underdeck clamp and adjustable collar with "TYPE E" polished, nickel bronze strainer with 4 [102] diameter funnel.

**OPTIONS** (Check/specify appropriate options)

PIPE SIZE	(Specify size/type)	OUTLET	'E' BODY HT. DIM.
2 thru 4 [51 thru 102]	_____	IC Inside Caulk	3 7/8 [98]
2 [51]	_____	IP Threaded	2 3/8 [60]
3 [76]	_____	IP Threaded	2 5/8 [67]
4 [102]	_____	IP Threaded	2 7/8 [73]
2 thru 4 [51 thru 102]	_____	NH No-Hub	3 7/8 [98]
2 thru 4 [51 thru 102]	_____	NL Neo-Loc	4 5/8 [117]

**PREFIXES**

- \_\_\_\_\_ ZB D.C.C.I. Body Assembly w/ Polished Bronze Top
- \_\_\_\_\_ ZN D.C.C.I. Body Assembly w/ Polished Nickel Bronze Top\*

**SUFFIXES**

- |  |                                    |
|--|------------------------------------|
| _____ -AR Acid Resisting Epoxy Coated Cast Iron                | _____ -VP Vandal-Proof Secured Top |
| _____ -G Galvanized Cast Iron                                  | _____ -Y Sediment Bucket           |
| _____ -P Trap Primer Connection (Specify 1/2 [13] or 3/4 [19]) |                                    |
| _____ -SC Solid Cover  |                                    |
| _____ -U 1 - 3 [25 - 76] High Extension Adapter                |                                    |
| _____ -V Backwater Valve                                       |                                    |

<b>REV. A</b>	<b>DATE: 05/20/04</b>	<b>C.N. NO. 92240</b>
<b>DWG. NO. P-14628</b>		<b>PRODUCT NO. Z415E-75</b>

\*REGULARLY FURNISHED UNLESS OTHERWISE SPECIFIED

ZURN INDUSTRIES, INC. ♦ SPECIFICATION DRAINAGE OPERATION ♦ 1801 Pittsburgh Ave. ♦ Erie, PA 16514

Phone: 814/455-0921 ♦ Fax: 814/454-7929 ♦ World Wide Web: www.zurn.com

In Canada: ZURN INDUSTRIES LIMITED ♦ 3544 Nashua Drive ♦ Mississauga, Ontario L4V1L2 ♦ Phone: 905/405-8272 Fax: 905/405-1292