



Z874-12-88

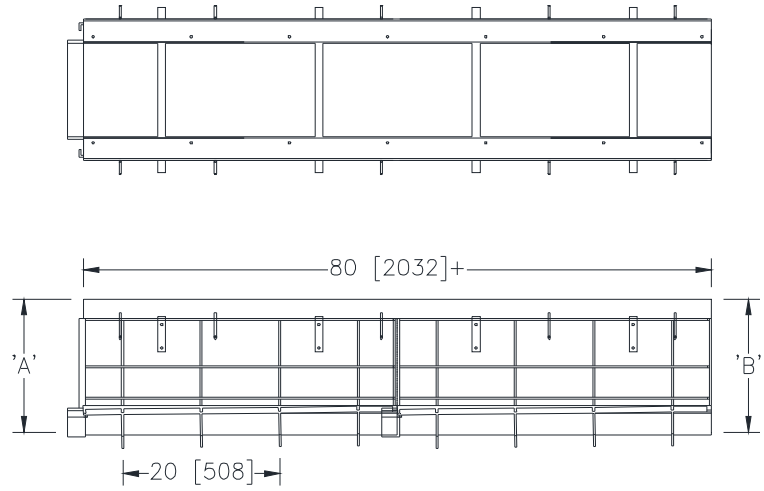
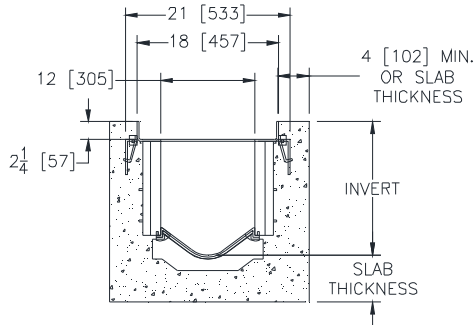
12 [305] WIDE THROAT TRENCH DRAIN SYSTEM W/ MODIFIED GALVANIZED FRAME & NO GRATES

SPECIFICATION SHEET

TAG _____

Dimensional Data (inches and [mm]) are Subject to Manufacturing Tolerances and Change Without Notice

SPECIFYING ENGINEER IS RESPONSIBLE FOR CONCRETE ENCASEMENT AND REINFORCING BASED UPON APPLICATION AND LOCAL CODES



+ Actual High Density Polyethylene channel length is 82 [2083] to allow for overlap, with frame attached the length is 84-1/2 [2146] with the exception of P.N. 1201P and 1230P.

ENGINEERING SPECIFICATION: Zurn Z874-12-88

Channels shall be 80" [2032mm] long, 18" [457mm] wide reveal and have a 12" [305mm] wide throat. Modular channel sections shall be made of 0% water absorbent High Density Polyethylene (HDPE). Shall have a positive mechanical connection between channel sections that will not separate during the installation and shall mechanically lock into the concrete surround every 10" [254mm]. Channels shall weigh less than 6.6 lbs. per linear foot [9.8 kg/m], have smooth 3.5" [89mm] radiused self cleaning bottom with a Manning's coefficient of .009 and 1.00% or neutral 0% built-in slope. Channels are available with inverts ranging from 9.25" [235mm] to 34.21" [869mm]. Channels come with clips attached to the frame to accommodate vertical re-bar for positioning and anchoring purposes. The 1/4" [6mm] thick Galvanized Carbon Steel Frame Assembly conforms to ASTM specification A36 and Galvanizing conforms to ASRM specification A123 and are supplied with 10 - 4" [102mm] long concrete anchors per 80" [2032mm]. Frames shall be produced in the USA.

PREFIX

___ Z 80 [2032] High Density Polyethylene Channel, Heavy-Duty Modified Galvanized Frame with Anchor Studs*

SUFFIX OPTIONS (Check/specify appropriate options)

Adapters

- ___ -E1 Closed End Cap
- ___ -E4 4 [102] No-Hub End Outlet
- ___ -E6 6 [152] No-Hub End Outlet
- ___ -E8 8 [203] No-Hub End Outlet
- ___ -E10 10 [254] No-Hub End Outlet
- ___ -U4 4 [102] No-Hub Bottom Outlet
- ___ -U6 6 [152] No-Hub Bottom Outlet
- ___ -U8 8 [203] No-Hub Bottom Outlet
- ___ -U12 12 [305] No-Hub Bottom Outlet

Miscellaneous Options

- ___ -RC Rebar Clips (Set of 2)
- ___ -DB Bottom Dome Strainer

Trench #	'A' Shallow Inv.	'B' Deep Inv.	Flow		
			(gpm)	(lps)	(cfs)
1201P	9.250 [235]	10.082 [256]	1475	93	3.306
1202P	10.082 [256]	10.914 [277]	1758	111	3.941
1203P	10.914 [277]	11.746 [298]	2048	129	4.589
1204P	11.746 [298]	12.578 [319]	2341	148	5.248
1205P	12.578 [319]	13.410 [341]	2639	166	5.915
1205NP	13.410 [341]	13.410 [341]	-	-	-
1206P	13.410 [341]	14.242 [362]	2939	185	6.589
1207P	14.242 [362]	15.074 [383]	3243	205	7.268
1208P	15.074 [383]	15.906 [404]	3548	224	7.953
1209P	15.906 [404]	16.738 [425]	3855	243	8.641
1210P	16.738 [425]	17.570 [446]	4164	263	9.333
1211P	17.570 [446]	18.402 [467]	4474	282	10.028
1212P	18.402 [467]	19.234 [489]	4785	302	10.726
1213P	19.234 [489]	20.066 [510]	5098	322	11.426
1214P	20.066 [510]	20.898 [531]	5411	341	12.128
1215P	20.898 [531]	21.730 [552]	5725	361	12.832
1215NP	21.730 [552]	21.730 [552]	-	-	-
1216P	21.730 [552]	22.562 [573]	6040	381	13.538
1217P	22.562 [573]	23.394 [594]	6355	401	14.244
1218P	23.394 [594]	24.226 [615]	6671	421	14.953
1219P	24.226 [615]	25.058 [636]	6988	441	15.662
1220P	25.058 [636]	25.890 [658]	7304	461	16.372
1221P	25.890 [658]	26.722 [679]	7622	481	17.084
1222P	26.722 [679]	27.554 [700]	7940	501	17.796
1223P	27.554 [700]	28.386 [721]	8258	521	18.509
1224P	28.386 [721]	29.218 [742]	8576	541	19.223
1225P	29.218 [742]	30.05 [763]	8895	561	19.937
1225NP	30.05 [763]	30.05 [763]	-	-	-
1226P	30.05 [763]	30.882 [784]	9214	581	20.652
1227P	30.882 [784]	31.714 [806]	9533	601	21.367
1228P	31.714 [806]	32.546 [827]	9852	622	22.083
1229P	32.546 [827]	33.378 [848]	10172	642	22.800
1230P	33.378 [848]	34.210 [869]	10492	662	23.517

(Neutral channels available for all section numbers)

* Regularly furnished unless otherwise specified.