



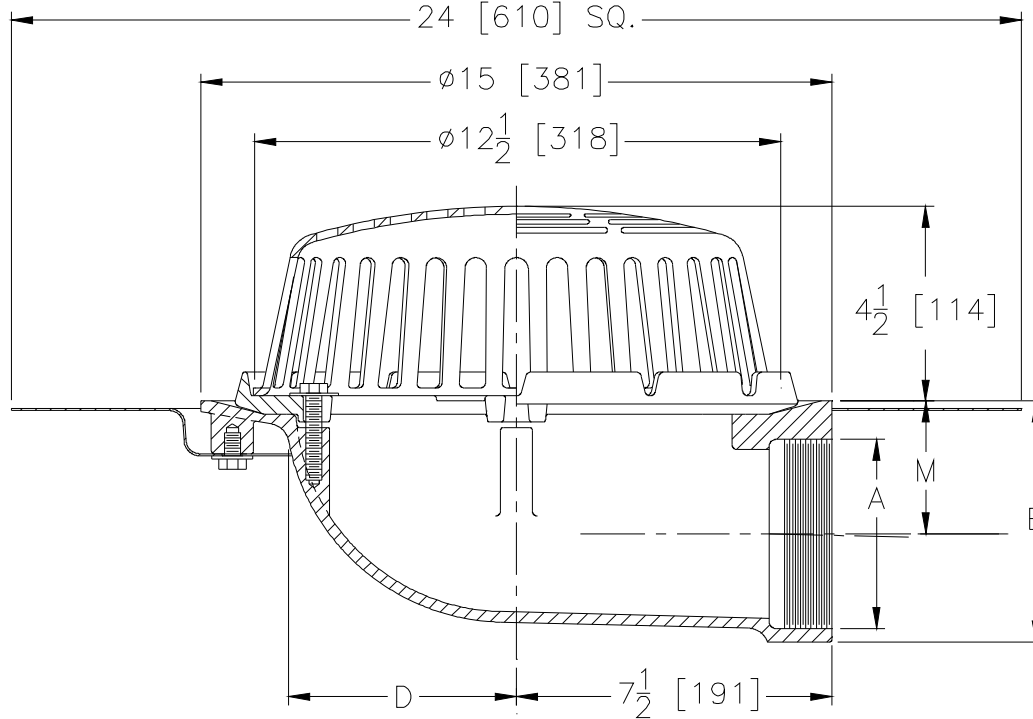
Z100-DP-90

15 [381] DIAMETER LATERAL ROOF DRAIN
W/ TOP-SET ROOF DECK PLATE

SPECIFICATION SHEET

TAG _____

Dimensional Data (inches and [mm]) are Subject to Manufacturing Tolerances and Change Without Notice



Dimensions in Inches [mm]			Approx Wt. lbs [kg]	Dome Open Area in ² [cm ²]
A Pipe Size	D	M		
2 [51]	5-1/2 [140]	4-1/4 [108]	47 [21]	103 [665]
3 [76]		3-11/16 [94]	45 [20]	
4 [102]		3-3/16 [81]	46 [21]	
6 [152]	5-7/8 [149]	4-1/4 [108]	55 [25]	

ENGINEERING SPECIFICATION: ZURN Z100-DP-90
15" [381mm] Diameter lateral roof drain. Dura-Coated cast iron body with combination membrane flashing clamp/gravel guard, low silhouette Poly-Dome strainer and Top-Set® roof deck plate.

OPTIONS (Check/specify appropriate options)

PIPE SIZE

2,3,4 [51,76,102]
6 [152]

(Specify size/type) **OUTLET**

_____ IP Threaded
_____ IP Threaded

E BODY HT. DIM.

5-3/4 [146]
7-7/8 [200]

PREFIXES

- _____ Z D.C.C.I. Body with Poly-Dome*
- _____ ZA D.C.C.I. Body with Aluminum Dome
- _____ ZC D.C.C.I. Body with Cast Iron Dome
- _____ ZRB D.C.C.I. Body with Plain Bronze Dome

SUFFIXES

- | | |
|---|---|
| _____ -AR Acid Resistant Epoxy Coated | _____ -SC Secondary Clamping Collar |
| _____ -AW 3/4 [19] to 4 [102] Adjustable Water Level Regulator (Specify Height) (ZC Only) | _____ -SS Stainless Mesh Screen Over Dome |
| _____ -E Static Extension 1 [25] thru 4 [102] (Specify Ht.) | _____ -ST Dome w/ Solid Top (ZA and ZC Only) |
| _____ -EA Adjustable Extension Assembly 2-1/8 [54] thru 3-1/2 [89] | _____ -VP Vandal Proof Secured Top |
| _____ -FG Flush Grate (Replaces Dome Strainer) | _____ -W2 2 [51] Internal Water Dam |
| _____ -G Galvanized Cast Iron | _____ -W3 3 [76] Internal Water Dam |
| _____ -HD 6-3/4 [171] High Aluminum Dome (148 sq. in. [955 cm ²] open area) | _____ -W4 4 [102] Internal Water Dam |
| | _____ -84 Stainless Steel Perforated Gravel Guard |
| | _____ -85 Stainless Steel Perforated Extension |
| | _____ -89 2 [51] High External Water Dam |

* Regularly furnished unless otherwise specified.