



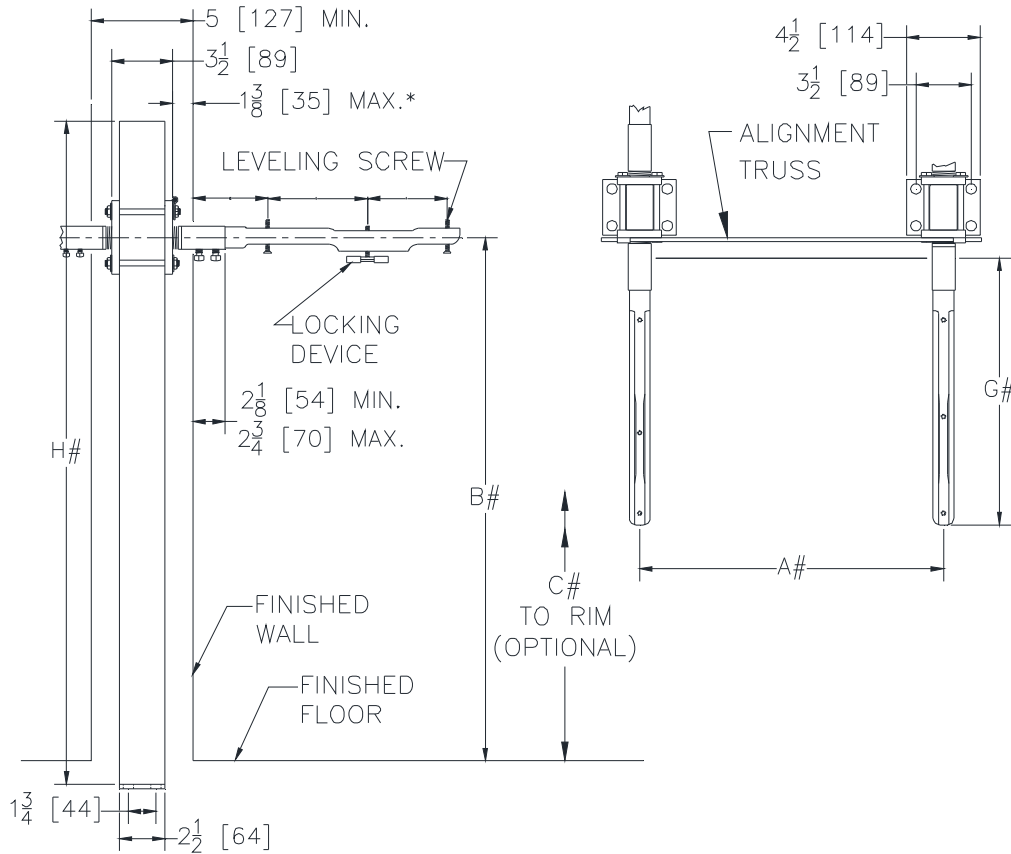
Z1231-D

BACK-TO-BACK CONCEALED ARM SYSTEM FOR WALL LAVATORIES

SPECIFICATION SHEET

TAG _____

Dimensional Data (inches and [mm]) are Subject to Manufacturing Tolerances and Change Without Notice



* WITH STANDARD SLEEVE LENGTH OF 4 [102]
 # REFER TO ROUGH-IN GUIDE OF SPECIFIC FIXTURE FOR DIM.

Product No.	Approx. Wt. Lb. [Kg.]
Z1231-D	63 [29]

ENGINEERING SPECIFICATION: ZURN Z1231-D

Back to Back lavatory support system with concealed arms. Complete with Dura-Coated rectangular steel uprights with welded feet, cast iron adjustable header plates, concealed arms, steel sleeves, alignment truss, and mounting fasteners.

OPTIONS (Check/specify appropriate options)

PREFIXES

___ Z Dura-Coated System with Concealed Arms*

SUFFIXES

- ___ -AL Adapter Lug
- ___ -CB Carrier Bank (Per Each)
- ___ -E2 Concealed Arm Escutcheons 2 [51] Long
- ___ -SL Sleeve Length Over 4 [102] (Specify Length)
- ___ -WS Wall Support Valve Plate (Specify Valve Name and Number)
- ___ -79 ADA Rough-In

* Regularly furnished unless otherwise specified.

Zurn Industries, LLC | Specification Drainage Operation
 1801 Pittsburgh Avenue, Erie, PA U.S.A. 16502 · Ph. 855-663-9876, Fax 814-454-7929
 In Canada | Zurn Industries Limited
 3544 Nashua Drive, Mississauga, Ontario L4V 1L2 · Ph. 905-405-8272, Fax 905-405-1292
www.zurn.com

Rev. E
 Date: 10/18/2017
 C.N. No. 138939
 Prod. | Dwg. No. Z1231-D