

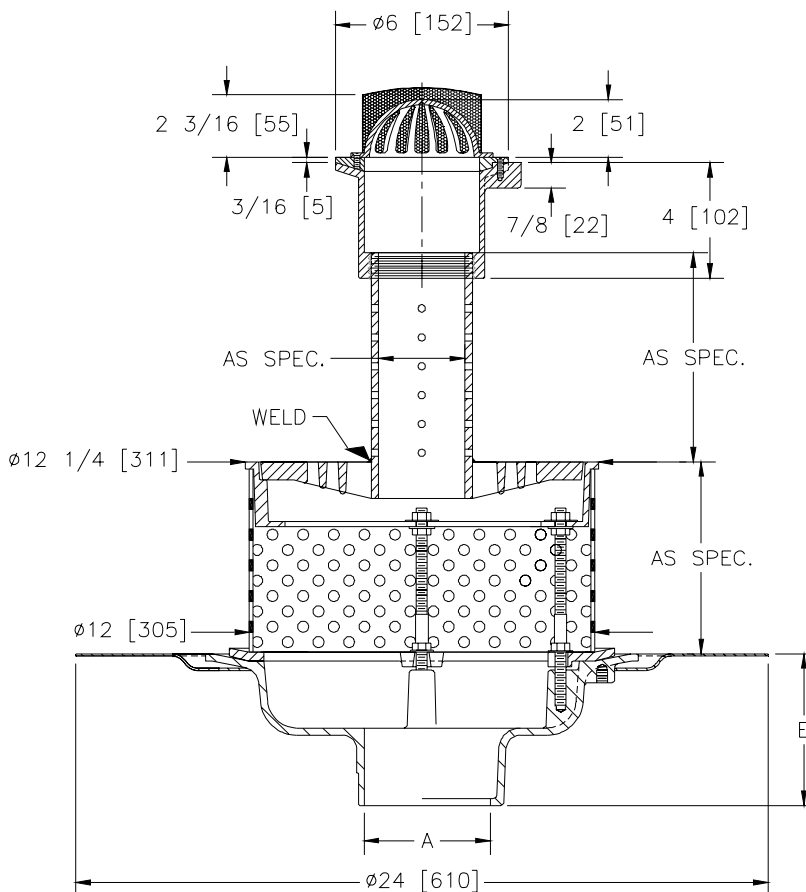


Z150-133
14 [356] PROM-DECK DRAIN
WITH VANDAL PROOF CORNICE DRAIN WITH
STAINLESS MESH OVER DOME

SPECIFICATION SHEET

TAG _____

Dimensions Subject to Manufacturing Tolerances



A Pipe Size In.	Approx. Wt. Lbs.[kg]	Dome Open Area Sq. In. [cm ²]
2,3,4 [51,76,102]	87 [39]	12 [77]
5,6 [127,152]		
8 [203]	84 [38]	
10 [254]		

ENGINEERING SPECIFICATION: ZURN Z150-133 Prom-Deck drain, Dura-Coated cast iron lower body with bottom outlet, roof sump receiver, flat clamping collar, stainless steel perforated extension, frame, grate, perforated standpipe, cornice drain with stainless mesh cover and plain bronze dome, with vandal proof securing screws.

OPTIONS (Check/specify appropriate options)

PIPE SIZE (Specify size)

- _____ 2 thru 6,8,10 [51, 152, 203, 254]
- _____ 2 thru 4,6 [51, 102, 152]
- _____ 2 thru 6,8,10 [51, 152, 203, 254]
- _____ 2 thru 6,8,10 [51, 152, 203, 254]
- _____ 2 thru 4 [51, 102]

OUTLET (Specify type)

- _____ **IC** Inside Caulk
- _____ **IG** Inside Caulk w/Sealtrol Gskt.
- _____ **IP** Threaded
- _____ **NH** No-Hub
- _____ **NL** Neo-Loc

'E' BODY HT. DIMENSION

- 5-1/4 [133]
- 5-1/4 [133]
- 3-3/4 [95]
- 5-1/4 [133]
- 4-5/8 [117]

PREFIXES

- _____ **Z-** D.C.C.I. Body with Cornice Drain*

SUFFIXES

- _____ **-AC** Angular Underdeck Clamp
- _____ **-C** Underdeck Clamp
- _____ **-G** Galvanized Cast Iron
- _____ **-XJ** Vertical Expansion Joint (See Z-190)

REV.	DATE: 3/26/11	C.N. NO. 121081
DWG. NO. 305149	PRODUCT NO. Z150-133	

*REGULARLY FURNISHED UNLESS OTHERWISE SPECIFIED

ZURN INDUSTRIES, LLC. ♦ SPECIFICATION DRAINAGE OPERATION ♦ 1801 Pittsburgh Ave. ♦ Erie, PA 16514

Phone: 814/455-0921 ♦ Fax: 814/454-7929 ♦ World Wide Web: www.zurn.com

In Canada: ZURN INDUSTRIES LIMITED ♦ 3544 Nashua Drive ♦ Mississauga, Ontario L4V1L2 ♦ Phone: 905/405-8272 Fax: 905/405-1292