



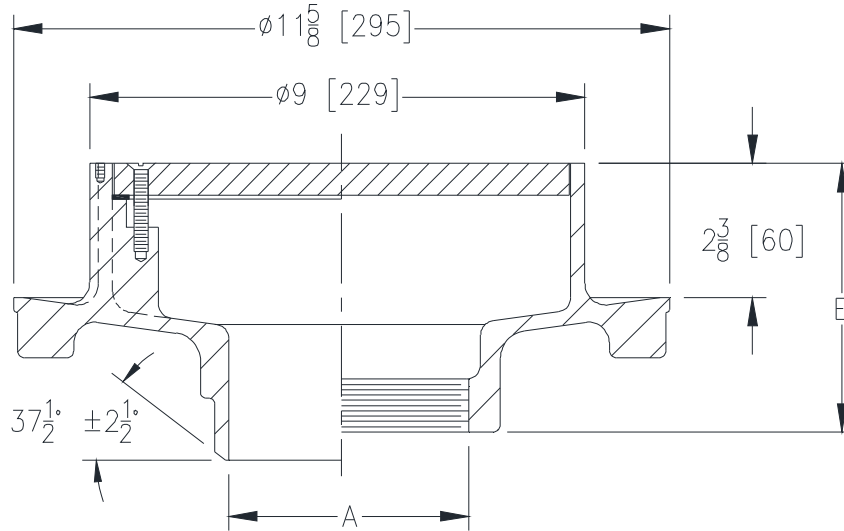
# Z1731-86

9 [229] DIAMETER FLOOR DRAIN  
MEDIUM DEPTH WITH SOLID COVER

SPECIFICATION SHEET

TAG \_\_\_\_\_

Dimensional Data (inches and [ mm ]) are Subject to Manufacturing Tolerances and Change Without Notice



A Pipe Size In. [mm]	Approx. Wt. Lbs. [kg]	Grate Open Area Sq. In. [cm <sup>2</sup> ]
3, 4 [76, 102]	22 [10]	21 [135]

**ENGINEERING SPECIFICATION:** ZURN Z1731-86  
9" [229mm] Diameter All Type 304 (CF8) stainless steel heavy-duty floor drain with integral anchor flange, and gasketed solid cover with plain finish.

**OPTIONS** (Check/specify appropriate options)

**PIPE SIZE**

3, 4 [76, 102]

(Specify size/type) **OUTLET**

- \_\_\_ BW Butt-weld  
(Specify Schedule 10 or 40)
- \_\_\_ IC Inside Caulk
- \_\_\_ IP Threaded
- \_\_\_ NH No-Hub

**'E' BODY HT. DIM.**

- 5-11/16 [144]
- 5-11/16 [144]
- 5-11/16 [144]
- 5-11/16 [144]

**PREFIXES**

- \_\_\_ Z Type 304 (CF8) Stainless Steel Body\*
- \_\_\_ ZM Type 316 (CF8M) Stainless Steel Body

**SUFFIXES**

- \_\_\_ -K Anchor Flange w/ Seepage Holes
- \_\_\_ -KC Anchor Flange w/ Seepage Holes and Clamp Collar
- \_\_\_ -TS Top Secured with Slotted Screws
- \_\_\_ -VP Vandal-Proof Secured Top
- \_\_\_ -Y Sediment Bucket

\* Regularly furnished unless otherwise specified.