

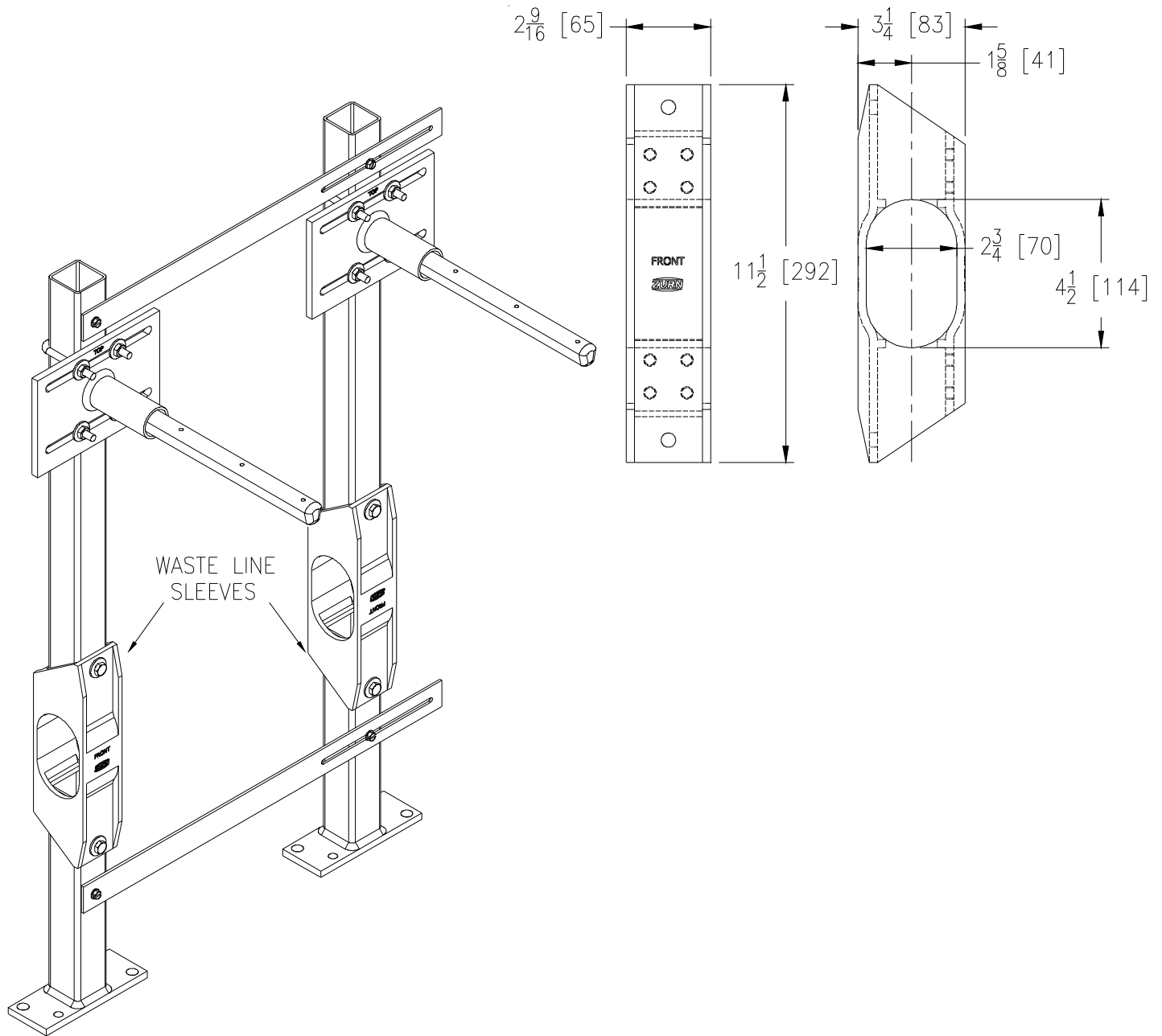


Z1231-EZR-WL
LAVATORY CARRIER WASTE LINE SLEEVE

SPECIFICATION SHEET

TAG _____

Dimensional Data (inches and [mm]) are Subject to Manufacturing Tolerances and Change Without Notice



ENGINEERING SPECIFICATION: ZURNZ1231-EZR-WL

Dura-Coated cast iron waste line sleeve designed for use with Z1231-EZR Lavatory Carrier. Complete with integral positive stops for proper assembly with mating uprights and securing hardware. Sleeve allows for up to a 2 [51] waste line to pass through while meeting the strength and deflection criteria of the carrier system, as required by ASME A112.6.1M.

* Regularly furnished unless otherwise specified.

Zurn Industries, LLC | Specification Drainage Operation
 1801 Pittsburgh Avenue, Erie, PA U.S.A. 16502 · Ph. 855-663-9876, Fax 814-454-7929
 In Canada | **Zurn Industries Limited**
 3544 Nashua Drive, Mississauga, Ontario L4V 1L2 · Ph. 905-405-8272, Fax 905-405-1292
www.zurn.com

Rev. A
 Date: 2/21/14
 C.N. No. 129618
 Prod. | Dwg. No. Z1231-EZR-WL