



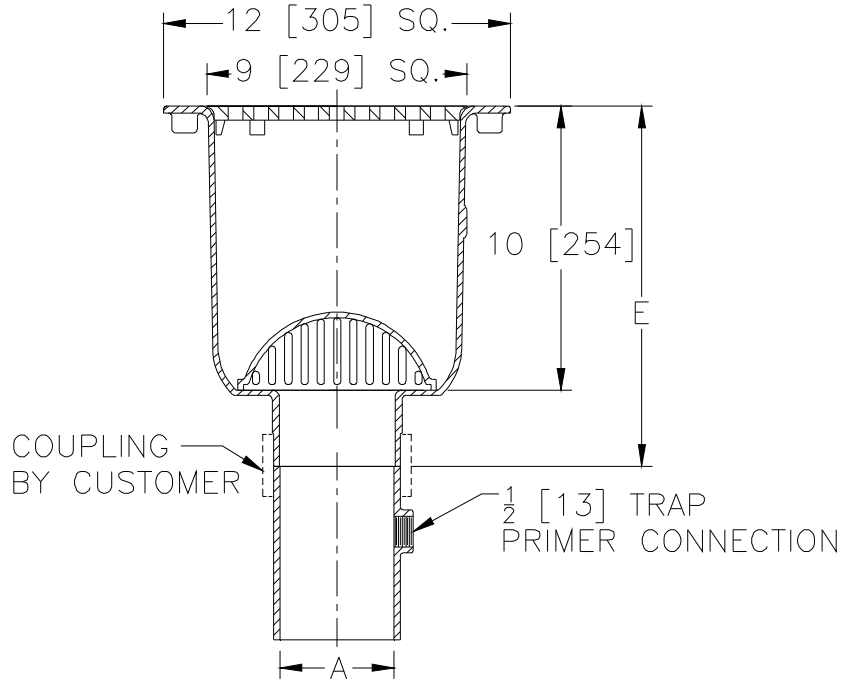
# Z1902-P

## 12 X 12 [305 X 305] A.R.E. SANI-FLOR RECEPTOR, 10 [254] SUMP DEPTH WITH 1/2 [13] TRAP PRIMER CONNECTION

SPECIFICATION SHEET

TAG \_\_\_\_\_

Dimensional Data (inches and [ mm ]) are Subject to Manufacturing Tolerances and Change Without Notice



A Pipe Size In.	Approx Wt. Lbs. [kg]	Grate Open Area Sq. In. [cm <sup>2</sup> ]
2-3-4 [51-76-102]	36 [13]	31 [200]

### ENGINEERING SPECIFICATION: ZURN Z1902-P

Sani-Flor Receptor 12 x 12 x 10 [305 x 305 x 254] Deep cast iron body with white acid resisting porcelain enamel interior and top, complete with ABS anti-splash interior bottom dome strainer, square slotted light-duty grate and 1/2 [13] trap primer connecton.

**OPTIONS** (Check/specify appropriate options)

#### PIPE SIZE

2-3-4 [51-76-102]

(Specify size/type) **OUTLET**

\_\_\_\_ NH No-Hub

#### 'E' BODY HT. DIMENSION

<b>Z</b>	<b>ZN / ZS</b>
12-5/8 [321]	13-1/8 [333]

#### PREFIXES

- \_\_\_\_ Z Cast Iron Body w/ White A.R.E. Interior\*
- \_\_\_\_ ZN Cast Iron Body w/ White A.R.E. Interior, 12-1/2 [318] Square N.B. Frame and Full Grate w/ 1/2 [13] Openings (Add 1/2 [13] to 12 [305] Dim.)
- \_\_\_\_ ZS Cast Iron Body w/ White A.R.E. Interior, 12-1/2 [318] Square Stainless Steel Frame and Full Grate w/ 1/2 [13] Openings (Add 1/2 [13] to 12 [305] Dim.)

#### SUFFIXES

- |  |  |
|--|--|
| ____ -DX Dex-o-Tex Flange (ZN Only)  | ____ -9 Angle Frame and Grate (ZN Only)  |
| ____ -HD Stainless Steel Frame w/ X-Heavy Duty<br>Stainless Steel Grate (ZS Only)                | ____ -11 Vandal-Proof Secured Grate (ZN & ZS Only)   |
| ____ -HP Heel-Proof Grate (ZN Only)  | ____ -12 Depressed Aluminum Grate (ZN Only)  |
| ____ -K Anchor Flange  | ____ -15 Solid Loose Set Cover (Z & ZN Only)   |
| ____ -KC Anchor Flange w/ Seepage Holes and Clamp Collar   | ____ -16 1/2 Solid Loose Set Cover (Z & ZN Only)   |
| ____ -LD (Less) Bottom Dome Strainer   | ____ -17 3/4 Solid Loose Set Cover (Z & ZN Only)   |
| ____ -SA Stabilizer Assembly (See Z1903)   | ____ -18 Solid Loose Set Cover w/ Center Opening<br>(2-1/4 [57] Square for Z Only) and (3 [76] Square for ZN Only) |
| ____ -VPS Vandal-Proof Strainer  | ____ -19 Full Hinged Grate (ZN Only)   |
| ____ -1 (Less) Grate   | ____ -23 Aluminum Bucket   |
| ____ -2 1/2 Grate  | ____ -25 White A.R.C. Bucket   |
| ____ -3 3/4 Grate  | ____ -31 Stainless Steel Mesh Liner for Bucket   |
| ____ -4 Full Grate w/ Center Opening (2 [51] Dia. for Z) and<br>(3-1/32 [77] Square for ZN & ZS) | ____ -32 Aluminum Dome Strainer  |
| ____ -5 Grate w/ 4 [102] Dia. x 3 3/4 [95] High Funnel   | ____ -33 White A.R.C. Anti-Splash Bottom Dome Strainer   |
| ____ -6 Grate w/ 6 [152] Dia. x 6 [152] High Funnel  | ____ -34 N.B. Anti-Splash Bottom Dome Strainer   |
| ____ -7 Grate w/ 6-3/4 x 3 x 1 [171 x 76 x 25] High Oval Funnel                                  |  |
| ____ -8 Grate w/ 8-7/8 x 3-5/8 x 3-3/4 [225 x 92 x 95]<br>High Oval Funnel                       |  |

\*REGULARLY FURNISHED UNLESS OTHERWISE SPECIFIED

REV. A      DATE: 7/29/11      C.N. NO. 98189

DWG. NO. 59936      PRODUCT NO. Z1902-P

ZURN INDUSTRIES, LLC. ♦ SPECIFICATION DRAINAGE OPERATION ♦ 1801 Pittsburgh Ave. ♦ Erie, PA 16514

Phone: 814/455-0921 ♦ Fax: 814/454-7929 ♦ World Wide Web: www.zurn.com

In Canada: ZURN INDUSTRIES LIMITED ♦ 3544 Nashua Drive ♦ Mississauga, Ontario L4V1L2 ♦ Phone: 905/405-8272 Fax: 905/405-1292